

SELF-PROPELLED SCISSOR LIFTS

OPERATOR'S MANUAL

with Maintenance Information

(For S0608EH, S0808EH, S0812EH, S1012EH, S1212EH, S1412EH)

(For S0608E, S0808E, S0812E, S1012E, S1212E, S1412E)

(Hydraulic Motor / DC Motor Drive)

(Series 3)



WARNING

THE MANUFACTURER SHALL NOT BE HELD LIABLE IN CASE OF FAULTS OR ACCIDENTS DUE TO NEGLIGENCE, INCAPACITY, INSTALLATION BY UNQUALIFIED TECHNICIANS AND IMPROPER USE OF THE MACHINE

DO NOT OPERATE THIS MACHINE UNTIL YOU READ AND UNDERSTAND ALL THE DANGERS, WARNINGS AND CAUTIONS IN THIS MANUAL

Part Number: SM0110111A



Zhejiang Dingli Machinery Co., Ltd.

Second Edition, Jun 2015 Printing

Version of the Record

Version of the Record

Version Number	Create Date
SM0110111A_Rev1.0	2014-03
SM0110111A_Rev2.0	2014-12

Important

Read, understand and obey these safety rules and operating instructions before operating this machine.

Only trained and authorized personnel shall be permitted to operate this machine. This manual should be considered a permanent part of your machine and should remain with the machine at all times. If you have any questions, please call DINGLI Machinery.

Contents

	Page
Safety Rules	1
Legend	8
Decals	9
Specifications	18
Control panel	30
Pre-operation Inspection	33
Workplace Inspection	35
Function Tests	36
Operating Instructions	40
Transport and Lifting Instructions	50
Maintenance	54
Schematic	82
Inspection and Repair Log	88

Owners, Users and operators:

We appreciate your choice of our machine for your application. Our number one priority is user safety, which is best achieved by our joint efforts. We feel that you make a major contribution to safety if you, as the equipment users and operators:

- 1 Comply with employer, job site and governmental rules.
- 2 Read, understand and follow the instructions in this and other manuals supplied with this machine.
- 3 Use good safe work practices in a commonsense way.
- 4 Only have trained / certified operators, directed by informed and knowledgeable supervision, running the machine.

If there is anything in this manual that is not clear or which you believe should be added, please contact us.

Contact us:

Zhejiang Dingli Machinery Co., Ltd.

1255 Baiyun South Road. Leidian Town.

Deqing Zhejiang

China

Tel: +86-572-8681688

Fax: +86-572-8681690

Web: www.cndingli.com

E-mail: market@cndingli.com

Safety Rules



Danger

Failure to obey the instructions and safety rules in this manual will result in death or serious injury.

Do Not Operate Unless:

- You learn and practice the principles of safe machine operation contained in this operator's manual.
 - 1 Avoid hazardous situations.**
 - Know and understand the safety rules before going on to the next section.**
 - 2 Always perform a pre-operation inspection.
 - 3 Always perform function tests prior to use.
 - 4 Inspect the workplace.
 - 5 Only use the machine as it was intended.
- You read, understand and obey the manufacturer's instructions and safety rules— safety and operator's manuals and machine decals.
- You read, understand and obey employer's safety rules and worksite regulations.
- You read, understand and obey all applicable governmental regulations.
- You are properly trained to safely operate the machine.

Decal Legend

DINGLI product decals use symbols, color coding and signal words to identify the following:



Safety alert symbol—used to alert personnel to potential personal injury hazards. Obey all safety messages that follow this symbol to avoid possible injury or death.



DANGER Red—used to indicate the presence of an imminently hazardous situation which, if not avoided, will result in death or serious injury.



WARNING Orange—used to indicate the presence of a potentially hazardous situation which, if not avoided, could result in death or serious injury.



CAUTION Yellow with safety alert symbol- used to indicate the presence of a potentially hazardous situation which, if not avoided, may cause minor or moderate injury.



NOTICE Blue without safety alert symbol—used to indicate the presence of a potentially hazardous situation which, if not avoided, may result in property damage.

Safety Rules

Intended Use

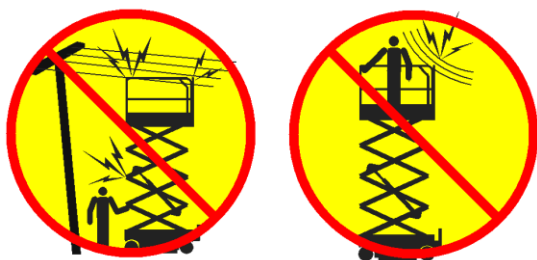
This machine is intended to be used only to lift personnel, along with their tools and materials to an aerial work site.

Safety Sign Maintenance

Replace any missing or damaged safety signs. Keep operator safety in mind at all times. Use mild soap and water to clean safety signs. Do not use solvent-based cleaners because they may damage the safety sign material.

⚠ Electrocuting Hazard

This machine is not electrically insulated and will not provide protection from contact with or proximity to electrical current.



Maintain safe distances from electrical power lines and apparatus in accordance with applicable governmental regulations and the following chart.

Voltage Phase to Phase	Minimum Safe Approach Distance Meters
0 to 300V	Avoid Contact
300V to 50kV	3.05
50kV to 200kV	4.60
200kV to 350kV	6.10
350kV to 500kV	7.62
500kV to 750kV	10.67
750kV to 1000kV	13.72

Allow for platform movement, electrical line sway or sag and beware of strong or gusty winds.

Keep away from the machine if it contacts energized power lines. Personnel on the ground or in the platform must not touch or operate the machine until energized power lines are shut off.

Do not operate the machine during lightning or storms.

Do not use the machine as a ground for welding.

⚠ Tip-over Hazard

Occupants, equipment and materials must not exceed the maximum platform capacity or the maximum capacity of the platform extension.

Maximum capacity – S0608EH

Maximum occupants (Indoor use)	2
Maximum occupants (Outdoor use)	1
Platform allowable maximum load	380kg
Extension deck allowable maximum load	113kg

Maximum capacity – S0808EH

Maximum occupants (Indoor use ONLY)	2
Platform allowable maximum load	230kg
Extension deck allowable maximum load	113kg

Maximum capacity – S0812EH

Maximum occupants (Indoor / Outdoor use)	2
Platform allowable maximum load	450kg
Extension deck allowable maximum load	113kg

Maximum capacity – S1012EH

Maximum occupants (Indoor use)	2
Maximum occupants (Outdoor use)	1
Platform allowable maximum load	320kg
Extension deck allowable maximum load	113kg

Safety Rules

Maximum capacity – S1212EH

Maximum occupants (Indoor use ONLY)	3
Platform allowable maximum load	320kg
Extension deck allowable maximum load	113kg

Maximum capacity – S1412EH

Maximum occupants (Indoor use ONLY)	2
Platform allowable maximum load	200kg
Extension deck allowable maximum load	113kg

Maximum capacity – S0608E

Maximum occupants (Indoor use)	2
Maximum occupants (Outdoor use)	1
Platform allowable maximum load	380kg
Extension deck allowable maximum load	113kg

Maximum capacity – S0808E

Maximum occupants (Indoor use ONLY)	2
Platform allowable maximum load	230kg
Extension deck allowable maximum load	113kg

Maximum capacity – S0812E

Maximum occupants (Indoor/Outdoor use)	2
Platform allowable maximum load	450kg
Extension deck allowable maximum load	113kg

Maximum capacity – S1012E

Maximum occupants (Indoor use)	2
Maximum occupants (Outdoor use)	1
Platform allowable maximum load	320kg
Extension deck allowable maximum load	113kg

Maximum capacity –S1212E

Maximum occupants (Indoor use ONLY)	3
Platform allowable maximum load	320kg
Extension deck allowable maximum load	113kg

Maximum capacity –S1412E

Maximum occupants (Indoor use ONLY)	2
---	---

Platform allowable maximum load 200kg

Extension deck allowable maximum load 113kg

Platform retracted



Platform extended



Extension only Platform only

Work Area Safety

Do not raise the platform unless the machine is on a firm, level surface.

Do not drive over 0.8 km/h with the platform raised.



Do not depend on the tilt alarm as a level indicator. The tilt alarm sounds on the chassis and in the platform when the machine is on a slope.

If the tilt alarm sounds:

Lower the platform. Move the machine to a firm, level surface. If the tilt alarm sounds when the platform is raised, use extreme caution to lower the platform.

For outdoor use machine, do not raise the platform when wind speeds may exceed 12.5 m/s. If wind speeds exceed 12.5 m/s when the platform is raised, lower the platform and do not continue to operate the machine.

Do not operate the machine in strong or gusty winds. Do not increase the surface area of the platform or the load. Increasing the area exposed to the wind will decrease machine stability.

Safety Rules



Do not use the platform controls to free a platform that is caught, snagged or otherwise prevented from normal motion by an adjacent structure. All personnel must be removed from the platform before attempting to free the platform using the ground controls.

Use extreme care and slow speeds while driving the machine in the stowed position across uneven terrain, debris, unstable or slippery surfaces and near holes and drop-offs.

Do not drive the machine on or near uneven terrain, unstable surfaces or other hazardous conditions with the platform raised.

Do not push off or pull toward any object outside of the platform.



Maximum allowable manual force

Model	Application	manual force	Maximum occupants
S0608EH	Outdoor	200N	1
	Indoor	400N	2
S0808EH	Indoor	400N	2
S0812EH	Outdoor	400N	2
	Indoor	400N	2
S1012EH	Outdoor	200N	1
	Indoor	400N	2

Model	Application	manual force	Maximum occupants
S1212EH	Indoor	400N	3
S1412EH	Indoor	400N	2
S0608E	Outdoor	200N	1
	Indoor	400N	2
S0808E	Indoor	400N	2
S0812E	Outdoor	400N	2
	Indoor	400N	2
S1012E	Outdoor	200N	1
	Indoor	400N	2
S1212E	Indoor	400N	3
S1412E	Indoor	400N	2

Do not use the machine as a crane.

Do not place or attach fixed or overhanging loads to any part of this machine.

Do not push the machine or other objects with the platform.

Do not operate the machine with the chassis trays open.

Do not contact adjacent structures with the platform.

Do not alter or disable the limit switches.

Do not tie the platform to adjacent structures.

Do not place loads outside the platform perimeter.



Do not alter or disable machine components that in any way affect safety and stability.

Do not replace items critical to machine

Safety Rules

stability with items of different weight or specification.

Do not use batteries that weigh less than the original equipment. Batteries are used as counterweight and are critical to machine stability. Each battery must weigh 28 kg. Battery box including batteries must weigh a minimum of 175 kg.

Do not modify or alter an aerial work platform without prior written permission from the manufacturer. Mounting attachments for holding tools or other materials onto the platform, toe boards or guard rail system can increase the weight in the platform and the surface area of the platform or the load.

Do not place ladders or scaffolds in the platform or against any part of this machine.

Do not transport tools and materials unless they are evenly distributed and can be safely handled by person(s) in the platform.

Do not use the machine on a moving or mobile surface or vehicle.

Be sure all tires are in good condition, air-filled tires are properly inflated and lug nuts are properly tightened.

▲ Crushing Hazard

Keep hands and limbs out of scissors.

Keep hands clear when folding rails.

Use common sense and planning when operating the machine with the controller from the ground. Maintain safe distances between the operator, the machine and fixed objects.

Maintain a firm grasp on the platform rail when removing the rail pins. Do not allow the platform guard rails to fall.

▲ Operation on Slopes Hazard

Do not drive the machine on a slope that exceeds the slope and side slope rating of the machine.

Slope rating applies to machines in the stowed position.

Model	Maximum slope rating stowed position	Maximum side slope rating stowed position
S0608EH	25% (14°)	25% (14°)
S0808EH	25% (14°)	25% (14°)
S0812EH	25% (14°)	25% (14°)
S1012EH	25% (14°)	25% (14°)
S1212EH	25% (14°)	25% (14°)
S1412EH	25% (14°)	25% (14°)
S0608E	25% (14°)	25% (14°)
S0808E	25% (14°)	25% (14°)
S0812E	25% (14°)	25% (14°)
S1012E	25% (14°)	25% (14°)
S1212E	25% (14°)	25% (14°)
S1412E	25% (14°)	25% (14°)

Note: Slope rating is subject to ground conditions and adequate traction.

▲ Fall Hazard

The guard rail system provides fall protection. During operation, occupants in the platform must wear a full body harness with a lanyard attached to an authorized lanyard anchorage point. Attach only one (1) lanyard per lanyard anchorage point.

Do not sit, stand or climb on the platform guard rails. Maintain a firm footing on the platform floor at all times.



Safety Rules

Do not climb down from the platform when raised.

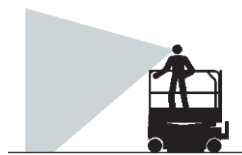
Keep the platform floor clear of debris.

Close the entry gate before operating.

Do not operate the machine unless the guard rails are properly installed and the entry is secured for operation.

Do not enter or exit the platform unless the machine is in the stowed position.

▲ Collision Hazard



Be aware of limited sight distance and blind spots when driving or operating.

Be aware of extended platform position(s) when moving the machine.

Check the work area for overhead obstructions or other possible hazards.



Be aware of crushing hazards when grasping the platform guard rail.

Operators must comply with employer, job site and governmental rules regarding use of personal protective equipment.

Observe and use color-coded direction arrows on the platform controls and platform decal plate for drive and steer functions.

Do not operate a machine in the path of any crane or moving overhead machinery unless the controls of the crane have been locked out and/or precautions have been taken to prevent any potential collision.

No stunt driving or horseplay while operating a machine.

Do not lower the platform unless the area below is clear of personnel and obstructions.



Limit travel speed according to the condition of the ground surface, congestion, slope, location of personnel, and any other factors which may cause collision.

▲ Component Damage Hazard

Do not use any battery charger greater than 24V to charge the batteries.

Do not use the machine as a ground for welding.

▲ Explosion and Fire Hazard

Do not operate the machine or charge the batteries in hazardous locations where potentially flammable or explosive gases or particles may be present.

▲ Damaged Machine Hazard

Do not use a damaged or malfunctioning machine.

Conduct a thorough pre-operation inspection of the machine and test all functions before each work shift. Immediately tag and remove from service a damaged or malfunctioning machine.

Be sure all maintenance has been performed as specified in this manual. Be sure all decals are in place and legible.

Safety Rules

Be sure the operator's manual is complete, legible and in the storage container located in the platform.

⚠ Bodily Injury Hazard

Do not operate the machine with a hydraulic oil or air leak. An air leak or hydraulic leak can penetrate and/or burn skin.

Improper contact with components under any cover will cause serious injury. Only trained maintenance personnel should access compartments. Access by the operator is only advised when performing a pre-operation inspection. All compartments must remain closed and secured during operation.

⚠ Battery Safety

⚠ Burn Hazard



Batteries contain acid. Always wear protective clothing and eye wear when working with batteries.

Avoid spilling or contacting battery acid. Neutralize battery acid spills with baking soda and water.

⚠ Explosion Hazard



Keep sparks, flames and lighted tobacco away from batteries. Batteries emit explosive gas.

The battery tray should remain open during the

entire charging cycle.

Do not contact the battery terminals or the cable clamps with tools that may cause sparks.

⚠ Component Damage Hazard

Do not use any battery charger greater than 24V to charge the batteries.

⚠ Electrocutiion/ Burn Hazard

Connect the battery charger to a grounded, AC 3-wire electrical outlet only.

Inspect daily for damaged cords, cables and wires. Replace damaged items before operating.



Avoid electrical shock from contact with battery terminals. Remove all rings, watches

and other jewelry.

⚠ Tip-over Hazard

Do not use batteries that weigh less than the original equipment. Batteries are used as counterweight and are critical to machine stability. Each battery must weigh 28 kg. Battery tray including batteries must weigh a minimum of 175 kg.

⚠ Lifting Hazard

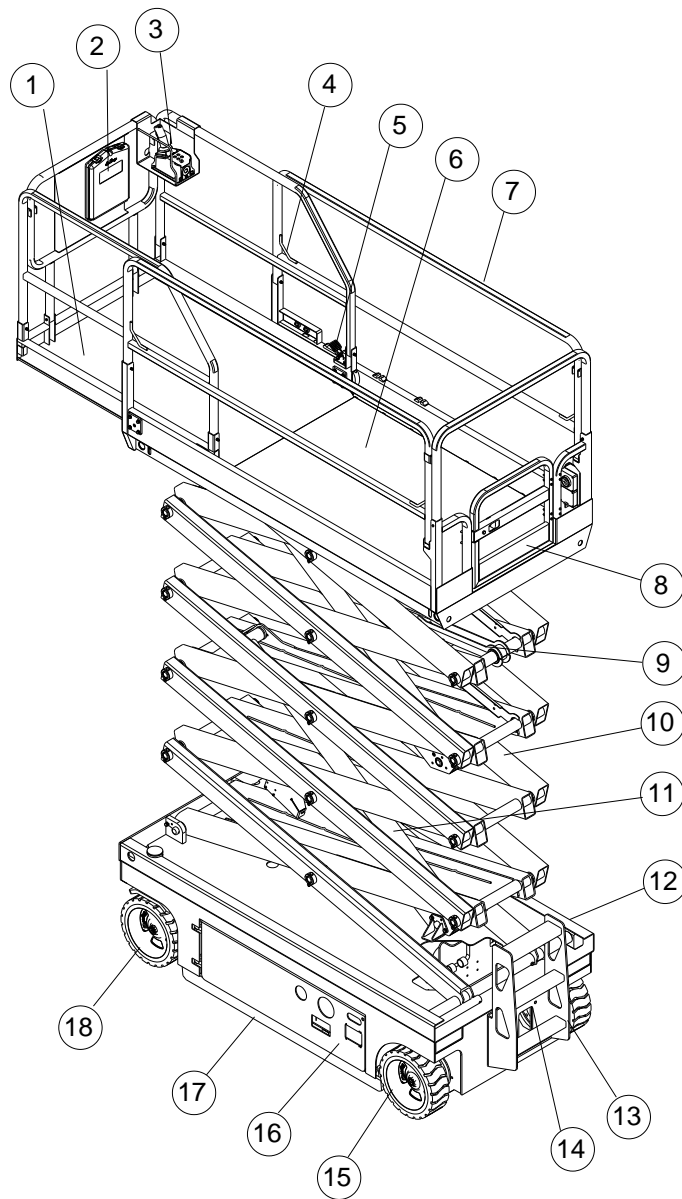
Use the appropriate number of people and proper lifting techniques when lifting batteries.

Lockout after Each Use

- 1 Select a safe parking location - firm level surface, clear of obstruction and traffic.
- 2 Lower the platform.
- 3 Turn the key switch to the off position and remove the key to secure from unauthorized use.
- 4 Chock the wheels.
- 5 Charge the batteries.

Legend

Legend



- | | |
|------------------------------------|--|
| 1 Platform extension | 10 Scissor Arms |
| 2 Manual storage container | 11 Lift Cylinder |
| 3 Platform control | 12 Ground controls (on opposite side of machine) |
| 4 Lanyard anchorage point | 13 Entry ladder |
| 5 Platform extension release pedal | 14 Brake release pump |
| 6 Main Platform | 15 Non-steer tire |
| 7 Platform guard rails | 16 Battery charger |
| 8 Platform entry gate | 17 Pothole guard |
| 9 Safety arm | 18 Steer tire |

Decal Inspection

Use the pictures on the next page to verify that all decals are legible and in place.

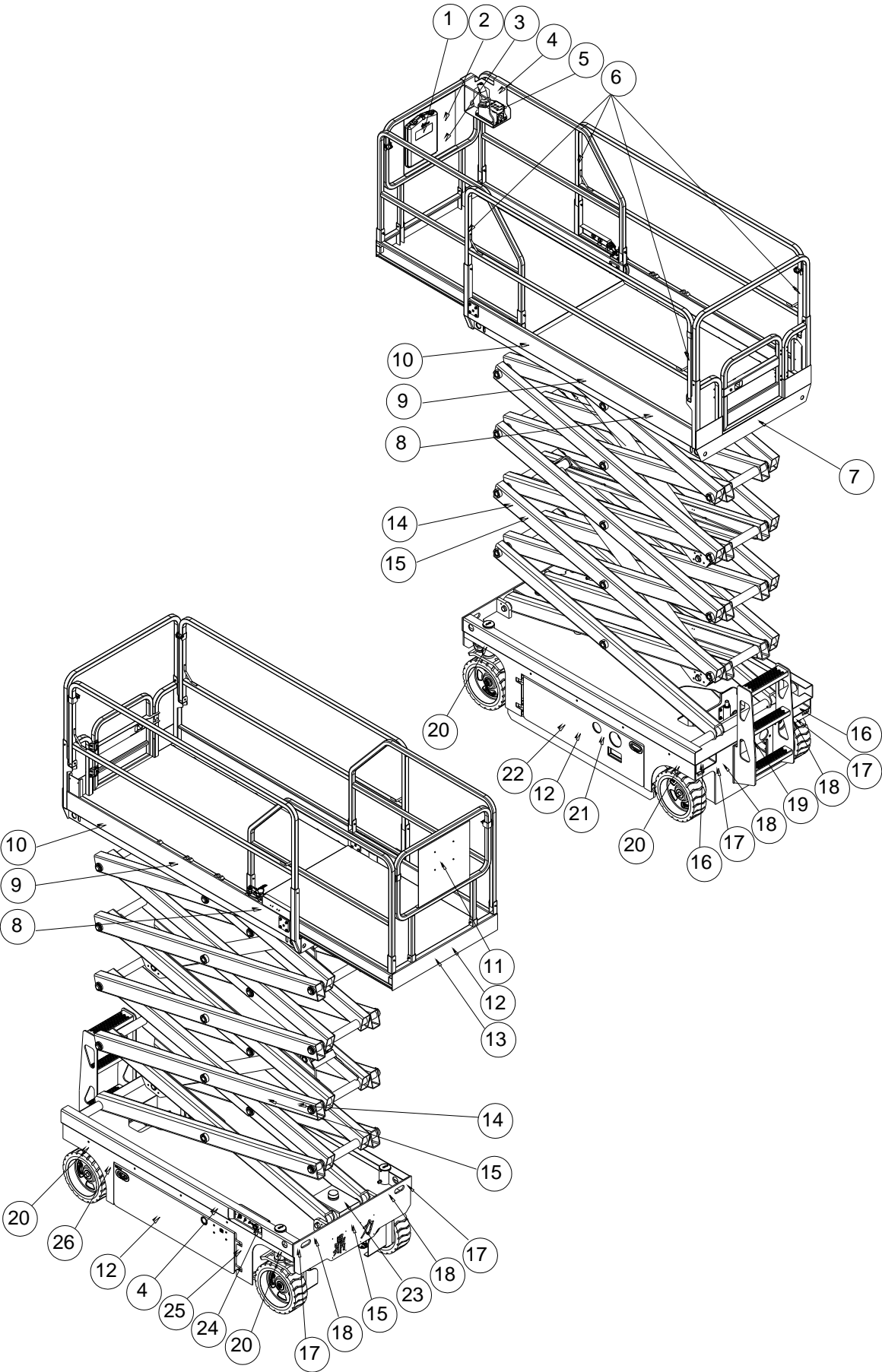
Below is a numerical list with quantities and descriptions.

No.	Part No.	Description	Qty.	Remark
1	9334011	Notice – Operator's Manual Storage	1	
2	9414101	Danger – Safety Rules	1	
3	9414103	Danger – Tip-over Hazard	1	
4	9314013	Instructions – Refer the operator to the instructions for use	2	
5	9114025	Label – Platform Console Panel	1	
6	9414123	Label – Lanyard Anchorage	4	
7	9414027	Label – Capacity 450kg	1	For: S0812EH/S0812E
	9414029	Label – Capacity 200kg	1	For: S1412EH/S1412E
	9414031	Label – Capacity 320kg	1	For: S1212EH/S1212E
	9414033	Label – Capacity 320kg	1	For: S1012EH/S1012E
	9414035	Label – Capacity 230kg	1	For: S0808EH/S0808E
	9414037	Label – Capacity 380kg	1	For: S0608EH/S0608E
8	9514011	Cosmetic – Mark	2	
9	9414107	Caution – Max. Manual Force: 400N	2	For: S0808EH/S0808E/ S0812EH/S0812E/S1212EH/ S1212E/S1412EH/S1412E
	9414109	Caution – Max. Manual Force: 400N (Indoor) 200N (Outdoor)	2	For: S0608EH/S0608E/ S1012EH/S1012E
10	9614029A	Cosmetic – Summit S0608EH	2	For: S0608EH
	9614030A	Cosmetic – E-Tech S0608E	2	For: S0608E
	9614031A	Cosmetic – Summit S0808EH	2	For: S0808EH
	9614032A	Cosmetic – E-Tech S0808E	2	For: S0808E
	9614033A	Cosmetic – Summit S0812EH	2	For: S0812EH
	9614034A	Cosmetic – E-Tech S0812E	2	For: S0812E
	9614035A	Cosmetic – Summit S1012EH	2	For: S1012EH
	9614036A	Cosmetic – E-Tech S1012E	2	For: S1012E
	9614037A	Cosmetic – Summit S1212EH	2	For: S1212EH

Decals

No.	Part No.	Description	Qty.	Remark
10	9614038A	Cosmetic – E-Tech S1212E	2	For: S1212E
	9614039A	Cosmetic – Summit S1412EH	2	For: S1412EH
	9614040A	Cosmetic – E-Tech S1412E	2	For: S1412E
11	9514101	Cosmetic – Mark	1	For: S0608EH/S0608E/ S0808EH/S0808E/S1412EH/ S1412E
	9514103	Cosmetic – Mark	1	For: S0812EH/S0812E/ S1012EH/S1012E/S1212EH/ S1212E
12	9514201	Cosmetic – CE	3	
13	9514301	Cosmetic – IPAF	1	
14	9413011	Danger – Safety Arm	2	For: S0608EH/S0608E/ S0808EH/S0808E/S0812EH/ S0812E/S1012EH/S1012E
			4	For: S1212EH/S1212E/ S1412EH/S1412E
15	9413013	Danger – Crushing Hazard	3	For: S0608EH/S0608E/ S0808EH/S0808E/S0812EH/ S0812E/S1012EH/S1012E
			5	For: S1212EH/S1212E/ S1412EH/S1412E
16	9311011	Instructions – Forklift Pockets	2	
17	9311015	Instructions – Tie Down Point	4	
18	9311013	Instructions – Lift Point	4	
19	9311017	Instructions – Emergency Lower	1	
20	9311021	Instructions – Wheel Load: 830kg	4	For: S0608EH/S0608E/ S0808EH/S0808E
	9311023	Instructions – Wheel Load: 1160kg	4	For: S1212EH/S1212E/ S1412EH/S1412E
	9311025	Instructions – Wheel Load: 1050kg	4	For: S0812EH/S0812E/ S1012EH/S1012E
21	9311105	Notice – Main Power Switch Operation	1	
22	9411011	Danger – Explosion / Burn Hazard	1	
23	9411015	Danger – Tip-over Hazard	1	
24	9111021	Label – Ground Console Panel	1	
25	9411013	Warning – Inspected and Operation Properly	1	
26	9211013A	Decal – Manufacturer's Plate	1	

Decals



Decals

S0608EH / S0608E

Platform

① 9334011

⑦ 9414037

⑥ 9414123

⑨ 9414109

② 9414101

④ 9314013

⑧ 9514011

⑩ 9614029A (For S0608EH) / 9614030A (For S0608E)

Summit S0608EH E-Tech S0608E

⑤ 9114025

⑪ 9514103

⑬ 9514301

Scissor Arms

③ 9414103

⑭ 9413011

⑮ 9413013

Chassis

①⑥ 9311011

②① 9311105

②③ 9411015

②④ 9111021

①⑦ 9311015

①⑧ 9311013

②② 9411011

②⑤ 9411013

②⑥ 9211013A

①⑨ 9311017

②⑦ 9311021

S0808EH / S0808E

Platform

① 9334011

② 9414101

③ 9414103

④ 9314013

⑤ 9114025

⑥ 9414123

⑦ 9414035

⑧ 9514011

⑨ 9414107

⑩ 9614031A (For S0808EH) / 9614032A (For S0808E)

Summit S0808EH E-Tech S0808E

⑪ 9514103

⑫ 9514201

⑬ 9514301

Scissor Arms

⑭ 9413011

⑮ 9413013

Chassis

⑯ 9311011

⑰ 9311015

⑱ 9311017

⑲ 9311015

⑳ 9311021

㉑ 9311105

㉒ 9411011

㉓ 9411015

㉔ 9111021

㉕ 9411013

㉖ 9211013A

Decals

S0812EH / S0812E

Platform

① 9334011

⑦ 9414027

⑥ 9414123

⑨ 9414107

② 9414101

④ 9314013

⑧ 9514011

⑤ 9114025

⑩ 9614033A(For S0812EH) / 9614034A(For S0812E)

S0812EH **Summit** S0812E **E-Tech** S0812E

⑪ 9514101

⑬ 9514301

⑫ 9514201

Scissor Arms

⑭ 9413011

⑮ 9413013

Chassis

⑬ 9311011

⑲ 9311017

⑳ 9311025

⑳ 9311015

㉓ 9411015

㉔ 9411021

㉕ 9411013

㉖ 9211013A

㉗ 9111021

S1012EH / S1012E

Platform

① 9334011

NOTICE

KEEP THE OPERATION AND SAFETY MANUAL WITH THE MACHINE

⑦ 9414033

Platform weight limits: =320kg, =207kg, =113kg. Max speed: 0m/s. Hand icon: 400N (Indoor), 200N (Outdoor).

⑥ 9414123

Resistant only 1 Occupants

⑨ 9414109

CAUTION

Max. Manual Force

400N (Indoor)
200N (Outdoor)

② 9414101

DANGER

Failure to read, understand and obey the operator's manual and the following safety rules will result in death or serious injury.

Improper Use Hazard

- Do not operate unless you are properly trained to safely operate this machine or you read, understand and follow the manufacturer's instructions and safety rules.
- Operator's manual and decal.
- Manufacturer's safety rules.
- Applicable government regulations.

Electrocution Hazards

This machine is not electrically insulated and will not provide protection from contact with or proximity to electrical circuitry.

Minimum Safe Approach Distance	Minimum Safe Approach Distance
0 to 30kV	3.05 m
30kV to 60kV	3.66 m
60kV to 90kV	4.27 m
90kV to 120kV	4.88 m
120kV to 150kV	5.49 m
150kV to 180kV	6.10 m
180kV to 210kV	6.71 m
210kV to 240kV	7.32 m

Tip-over Hazards

- Do not exceed rated load capacity.
- Do not raise platform unless machine is on a firm surface.
- Avoid drop offs, holes and unstable or slippery surfaces.
- Do not raise platform unless machine is level on surface.
- Do not drive machine on a stop that exceeds the maximum stop or side setting for the machine.
- Do not drive the machine on or over uneven terrain, unstable surfaces or other hazardous conditions with the platform raised.
- Do not push off or pull forward any object out side of the platform.
- Do not place or attach anything that is any part of this machine.
- Use extreme care and slow speeds when driving the machine to level position across uneven terrain. Drive, possible or slippery surfaces, avoid near holes and drop-offs.

④ 9314013

Refer the operator to the instructions for use

⑤ 9114025

⑧ 9514011

Dingli

⑩ 9614035A (For S1012EH) / 9614036A (For S1012E)

Summit S1012EH E-Tech S1012E

⑪ 9514101

CE

⑬ 9514301

IPAF

Scissor Arms

⑭ 9413011

DANGER

Crushing Hazard

Death or serious injury can result from contact with moving scissor arms.

Engage safety arm before performing maintenance or repair.

Don't engage safety arm unless unload platform.

⑮ 9413013

DANGER

Crushing Hazard

Contact with moving parts will result in death or serious injury.

Failure to follow these instructions could result in death or serious injury.

Do not stand under or around platform during operation.

Keep away from moving parts.

Chassis

⑬ 9311011

⑰ 9311015

⑲ 9311017

EMERGENCY LOWER

Pull knob to lower platform

⑳ 9311025

Wheel Load 1050 kg

⑳ 9311011

DANGER

Explosion/Burn Hazard

Ignition of explosive gases or contact with corrosive acid will cause death, burns or blindness.

Keep all open flames and sparks away. Wear personal protective equipment, including face shield, gloves and long sleeve shirt.

Read Manuals

Read all manuals prior to operation.

DO NOT OPERATE equipment if you do not understand the information in the manuals.

Consult your supervisor, the owner or the manufacturer.

㉑ 9411015

DANGER

Tip-over Hazard

Altering or disabling limit switches can result in machine tip-over. Machine tip-over will result in death or serious injury.

Do not alter or disable limit switch(es).

㉒ 9411011

DANGER

Tip-over Hazard

Altering or disabling limit switches can result in machine tip-over. Machine tip-over will result in death or serious injury.

Do not alter or disable limit switch(es).

㉓ 9411015

DANGER

Tip-over Hazard

Altering or disabling limit switches can result in machine tip-over. Machine tip-over will result in death or serious injury.

Do not alter or disable limit switch(es).

㉔ 9111021

EMERGENCY STOP

㉕ 9411013

WARNING

THIS MACHINE MUST NOT BE USED UNTIL IT IS INSPECTED AND OPERATING PROPERLY.

- Do not operate this machine unless you have been properly trained by a qualified person and authorized to operate this machine. Your training includes reading and understanding the safety, operating and maintenance instructions in manufacturer's manuals, knowing your employer's work rules and applicable governmental regulations.
- Follow the instructions in the Operating Manual and applicable standards for daily, frequent, and annual inspections.
- Do not replace items (e.g., batteries, wheels, counterweight, etc.) with items of different weight or specification because this will affect stability of machine.
- Do not modify or change machines without written approval from manufacturer.
- Operate this machine with extreme caution. STOP all operation if malfunction occurs.
- Improper use of this machine could cause death or serious injury.

㉖ 9211013A

AERIAL WORK PLATFORM

This product complies with Australian Standard AS/NZS 1418.10:2011

Model No. _____

Serial No. _____

Date of Manufacturer _____

Unloaded Mass _____

Rated Capacity _____

No. Occupants _____

Max. Manual Force _____

Max. Wind Speed _____

Max. Ground Slope _____

Voltage/Ampereage _____

Rated Capacity of Attachments _____

Commission Date _____

Zhejiang Dingli Machinery Co., Ltd.
No. 1255 Bayun South Rd, Leidian
Taizhou, Zhejiang China
Tel: 0086-572-8681888 8681889
Fax: 0086-572-8691900
E-mail: market@dingli.com
http://www.dingli.com

Decals

S1212EH/S1212E

Platform

① 9334011

② 9414101

③ 9414103

④ 9314013

⑤ 9114025

⑥ 9414123

⑦ 9414031

⑧ 9514011

⑨ 9414107

⑩ 9614037A (For S1212EH) / 9614038A (For S1212E)

⑪ 9514101

⑫ 9514201

⑬ 9514301

Scissor Arms

⑭ 9413011

⑮ 9413013

Chassis

⑯ 9311011

⑰ 9311015

⑱ 9311017

⑲ 9311105

⑳ 9311013

㉑ 9311023

㉒ 9411011

㉓ 9411015

㉔ 9411021

㉕ 9411013

㉖ 9211013A

S1412EH/S1412E

Platform

① 9334011

NOTICE

KEEP THE OPERATION AND SAFETY MANUAL WITH THE MACHINE

② 9414101

⚠ DANGER

Failure to read, understand and obey the operator's manual and the following safety rules will result in death or serious injury.

Improper Use Hazard

- Do not operate unless you are properly trained to safely operate this machine or your head, understand manufacturer's instructions and safety rules.
- Operator's manuals and decals.
- Employer's safety rules.
- Applicable government regulations.

Electrocution Hazards

This machine is not electrically insulated and will not provide protection from contact with or proximity to electrical circuit.

Platform	Minimum Safe Approach Distance
1.500 m	3.00 m
2.000 m	3.50 m
2.500 m	4.00 m
3.000 m	4.50 m
3.500 m	5.00 m
4.000 m	5.50 m
4.500 m	6.00 m
5.000 m	6.50 m
5.500 m	7.00 m
6.000 m	7.50 m
6.500 m	8.00 m
7.000 m	8.50 m
7.500 m	9.00 m
8.000 m	9.50 m
8.500 m	10.00 m
9.000 m	10.50 m
9.500 m	11.00 m
10.000 m	11.50 m

Tip-over Hazards

- Do not exceed rated load capacity.
- Do not raise platform unless machine is on a firm surface.
- Avoid drop-offs, holes and unstable or slippery surfaces.
- Do not raise platform unless machine is on a level surface.
- Do not drive machine on a slope that exceeds the maximum stop or side rating for the machine.
- Do not drive the machine on or near uneven terrain, unstable surfaces or other hazardous conditions with the platform raised.
- Do not push off or pull forward any object out side of the platform.
- Do not grab or attach anything to any part of this machine.
- Use extreme care and slow speeds when driving the machine to level position across uneven terrain. Drive, possible or slippery surfaces and near holes and drop-offs.

④ 9314013

NOTICE

Refer the operator to the instructions for use.

⑤ 9114025

⑦ 9414029

⑨ 9414107

⚠ CAUTION

Max. Manual Force

400N

⑧ 9514011

⑩ 9614039A (For S1412EH) / 9614040A (For S1412E)

Summit S1412EH E-Tech S1412E

⑥ 9414123

⚠ DANGER

Resistant only 1 Occurrence

⑪ 9514103

⑫ 9514201

⑬ 9514301

Scissor Arms

⑭ 9413011

⚠ DANGER

Crushing Hazard
Death or serious injury can result from contact with moving scissor arms.

Engage safety arm before performing maintenance or repair.

Don't engage safety arm unless unload platform.

⑮ 9413013

⚠ DANGER

Crushing Hazard

Engage safety arm before performing maintenance or repair.

Contact with moving parts will result in death or serious injury.

* Do not stand under or around platform during operation.
* Keep away from moving parts.
* Failure to follow these instructions could result in death or serious injury.

Chassis

⑬ 9311011

⑰ 9311015

⑲ 9311017

EMERGENCY LOWER

Pull knob to lower platform

⑳ 9311023

NOTICE

Cut off the power when the machine is repaired or not used for long period.

ON

OFF

②① 9311105

⚠ DANGER

Tip-over Hazard

Altering or disabling limit switches can result in machine tip-over. Machine tip-over will result in death or serious injury.

Do not alter or disable limit switch(es).

②② 9411011

⚠ DANGER

Explosion/Burn Hazard

Ignition of explosive gases or contact with corrosive acid will cause death, burns or blindness.

Keep all open flames and sparks away. Wear personal protective equipment, including face shield, gloves and long sleeve shirt.

Read Manuals
Read all manuals prior to operation.

DO NOT OPERATE equipment if you do not understand the information in the manuals.
Consult your supervisor, the owner or the manufacturer.

②③ 9411015

⚠ DANGER

Tip-over Hazard

Altering or disabling limit switches can result in machine tip-over. Machine tip-over will result in death or serious injury.

Do not alter or disable limit switch(es).

②④ 9111021

EMERGENCY STOP

②⑤ 9411013

⚠ WARNING

THIS MACHINE MUST NOT BE USED UNTIL IT IS INSPECTED AND OPERATING PROPERLY.

1. Do not operate this machine unless you have been properly trained by a qualified person and authorized to operate this machine. Your training includes reading and understanding the safety, operating and maintenance instructions in manufacturer's manuals, knowing your employer's work rules and applicable governmental regulations.
2. Follow the instructions in the Operating Manual and applicable standards for daily, frequent, and annual inspections.
3. Do not replace items (e.g., batteries, wheels, counterweight, etc.) with items of different weight or specification because this will affect stability of machine.
4. Do not modify or change machines without written approval from manufacturer.
5. Operate this machine with extreme caution. STOP all operation if malfunction occurs.
6. Improper use of this machine could cause death or serious injury.

②⑥ 9211013A

AERIAL WORK PLATFORM

This product complies with Australian Standard AS/NZS 1418, 10:2011

Model No.	_____
Serial No.	_____
Date of Manufacturer	_____
Unloaded Mass	_____
Rated Capacity	_____
No. Occupants	_____
Max. Manual Force	_____
Max. Wind Speed	_____
Max. Ground Slope	_____
Voltage/Ampereage	_____
Rated Capacity of Attachments	_____
Commission Date	_____

Zhejiang Dingli Machinery Co., Ltd.
No. 1255 Bayun South Rd, Lishan
Taizhou, Zhejiang China
Tel: 0086-572-8681888 8681889
Fax: 0086-572-8691900
E-mail: market@dingli.com
http://www.dingli.com

Specifications

Model: S0608EH

Height, working maximum	8m	Maximum hydraulic pressure (functions)	240bar
Height, platform maximum	6m	System voltage	24V
Height, stowed maximum Rails up	2.21m	Tire size	Φ381×127mm
Height, stowed maximum Rails lowered	1.75m	Airborne noise emissions	<70dB
Width	0.81m	Maximum sound level at normal operating workstations (A-weighted)	
Length, platform retracted	2.48m	Vibration value does not exceed 2.5m/s ²	
Length, platform extended	3.38m	Maximum slope rating, Stowed position	25%
Platform dimensions Platform length × width	2.27×0.81m	Maximum side slope rating, Stowed position	25%
Platform extension length	0.9m	Note: Slope rating is subject to ground conditions and adequate traction.	
Maximum load capacity	380kg	Maximum working slope	X-2°,Y-3°
Maximum wind speed	12.5m/s	Drive speeds	
Wheelbase	1.87m	Stowed, maximum	3.5km/h
Turning radius (outside)	2.10m	Platform raised, maximum	0.8km/h
Turning radius (inside)	0m	Floor loading information	
Ground clearance	10cm	Tire load, maximum	830kg
Ground clearance Pothole guards deployed	1.9cm	Tire contact pressure	8.17kg/cm ² 800.6kPa
Weight	(2085kg)	Occupied floor pressure	1105kg/m ² 10.8kPa
Machine weights vary with option configurations		Note: Floor loading information is approximate and does not incorporate different option configurations.	
Power source	4 Batteries , 6V 225AH	It should be used only with adequate safety factors.	
Controls	Proportional	Continuous improvement of our products is a DINGLI policy. Product specifications are subject to change without notice or obligation.	
AC outlet in platform	Standard		

Specifications**Model: S0808EH**

Height, working maximum	10m	Maximum hydraulic pressure (functions)	240bar
Height, platform maximum	8m	System voltage	24V
Height, stowed maximum Rails up	2.34m	Tire size	Φ381×127mm
Height, stowed maximum Rails lowered	1.88m	Airborne noise emissions	<70dB
Width	0.81m	Maximum sound level at normal operating workstations (A-weighted)	
Length, platform retracted	2.48m	Vibration value does not exceed 2.5m/s ²	
Length, platform extended	3.38m	Maximum slope rating, Stowed position	25%
Platform dimensions Platform length × width	2.27×0.81m	Maximum side slope rating, Stowed position	25%
Platform extension length	0.9m	Note: Slope rating is subject to ground conditions and adequate traction.	
Maximum load capacity	230kg	Maximum working slope	X-1.5°,Y-3°
Maximum wind speed	0m/s	Drive speeds	
Wheelbase	1.87m	Stowed, maximum	3.5km/h
Turning radius (outside)	2.10m	Platform raised, maximum	0.8km/h
Turning radius (inside)	0m	Floor loading information	
Ground clearance	10cm	Tire load, maximum	830kg
Ground clearance Pothole guards deployed	1.9cm	Tire contact pressure	8.17kg/cm ² 800.6kPa
Weight	(2140kg)	Occupied floor pressure	1120kg/m ² 11kPa
Machine weights vary with option configurations		Note: Floor loading information is approximate and does not incorporate different option configurations.	
Power source	4 Batteries , 6V 225AH	It should be used only with adequate safety factors.	
Controls	Proportional	Continuous improvement of our products is a DINGLI policy. Product specifications are subject to change without notice or obligation.	
AC outlet in platform	Standard		

Specifications

Model: S0812EH

Height, working maximum	10m	Maximum hydraulic pressure (functions)	240bar
Height, platform maximum	8m	System voltage	24V
Height, stowed maximum Rails up	2.34m	Tire size	Φ381×127mm
Height, stowed maximum Rails lowered	1.86m	Airborne noise emissions	<70dB
Width	1.15m	Maximum sound level at normal operating workstations (A-weighted)	
Length, platform retracted	2.48m	Vibration value does not exceed 2.5m/s ²	
Length, platform extended	3.38m	Maximum slope rating, Stowed position	25%
Platform dimensions Platform length × width	2.27×1.12 m	Maximum side slope rating, Stowed position	25%
Platform extension length	0.9m	Note: Slope rating is subject to ground conditions and adequate traction.	
Maximum load capacity	450kg	Maximum working slope	X-2°, Y-3°
Maximum wind speed	12.5m/s	Drive speeds	
Wheelbase	1.87m	Stowed, maximum	3.5km/h
Turning radius (outside)	2.33m	Platform raised, maximum	0.8km/h
Turning radius (inside)	0m	Floor loading information	
Ground clearance	10cm	Tire load, maximum	1050kg
Ground clearance Pothole guards deployed	1.9cm	Tire contact pressure	10.3kg/cm ² 1012.8kPa
Weight	(2615kg)	Occupied floor pressure	922kg/m ² 9.04kPa
Machine weights vary with option configurations		Note: Floor loading information is approximate and does not incorporate different option configurations.	
Power source	4 Batteries , 6V 225AH	It should be used only with adequate safety factors.	
Controls	Proportional	Continuous improvement of our products is a DINGLI policy. Product specifications are subject to change without notice or obligation.	
AC outlet in platform	Standard		

Specifications**Model: S1012EH**

Height, working maximum	12m	Maximum hydraulic pressure (functions)	240bar
Height, platform maximum	10m	System voltage	24V
Height, stowed maximum Rails up	2.47m	Tire size	Φ381×127mm
Height, stowed maximum Rails lowered	1.99m	Airborne noise emissions	<70dB
Width	1.15m	Maximum sound level at normal operating workstations (A-weighted)	
Length, platform retracted	2.48m	Vibration value does not exceed 2.5m/s ²	
Length, platform extended	3.38m	Maximum slope rating, Stowed position	25%
Platform dimensions Platform length × width	2.27×1.12m	Maximum side slope rating, Stowed position	25%
Platform extension length	0.9m	Note: Slope rating is subject to ground conditions and adequate traction.	
Maximum load capacity	320kg	Maximum working slope	X-2°,Y-3°
Maximum wind speed	12.5m/s	Drive speeds	
Wheelbase	1.87m	Stowed, maximum	3.5km/h
Turning radius (outside)	2.20m	Platform raised, maximum	0.8km/h
Turning radius (inside)	0m	Floor loading information	
Ground clearance	10cm	Tire load, maximum	1050kg
Ground clearance Pothole guards deployed	1.9cm	Tire contact pressure	10.3kg/cm ² 1012.8kPa
Weight	(2945kg)	Occupied floor pressure	964kg/m ² 9.45kPa
Machine weights vary with option configurations		Note: Floor loading information is approximate and does not incorporate different option configurations.	
Power source	4 Batteries , 6V 225AH	It should be used only with adequate safety factors.	
Controls	Proportional	Continuous improvement of our products is a DINGLI policy. Product specifications are subject to change without notice or obligation.	
AC outlet in platform	Standard		

Specifications

Model: S1212EH

Height, working maximum	14m	Maximum hydraulic pressure (functions)	240bar
Height, platform maximum	12m	System voltage	24V
Height, stowed maximum Rails up	2.59m	Tire size	Φ381×127mm
Height, stowed maximum Rails lowered	2.17m	Airborne noise emissions	<70dB
Width	1.15m	Maximum sound level at normal operating workstations (A-weighted)	
Length, platform retracted	2.48m	Vibration value does not exceed 2.5m/s ²	
Length, platform extended	3.38m	Maximum slope rating, Stowed position	25%
Platform dimensions Platform length × width	2.27×1.12m	Maximum side slope rating, Stowed position	25%
Platform extension length	0.9m	Note: Slope rating is subject to ground conditions and adequate traction.	
Maximum load capacity	320kg	Maximum working slope	X-1.5°, Y-3°
Maximum wind speed	0m/s	Drive speeds	
Wheelbase	1.87m	Stowed, maximum	3.5km/h
Turning radius (outside)	2.20m	Platform raised, maximum	0.8km/h
Turning radius (inside)	0m	Floor loading information	
Ground clearance	10cm	Tire load, maximum	1160kg
Ground clearance Pothole guards deployed	1.9cm	Tire contact pressure	11.4kg/cm ² 118.9.8kPa
Weight	(2870kg)	Occupied floor pressure	1115kg/m ² 10.9kPa
Machine weights vary with option configurations		Note: Floor loading information is approximate and does not incorporate different option configurations.	
Power source	4 Batteries , 6V 240AH	It should be used only with adequate safety factors.	
Controls	Proportional	Continuous improvement of our products is a DINGLI policy. Product specifications are subject to change without notice or obligation.	
AC outlet in platform	Standard		

Specifications**Model: S1412EH**

Height, working maximum	15.7m	Maximum hydraulic pressure (functions)	240bar
Height, platform maximum	13.7m	System voltage	24V
Height, stowed maximum Rails up	2.59m	Tire size	Φ381×127mm
Height, stowed maximum Rails lowered	2.17m	Airborne noise emissions	<70dB
Width	1.25m	Maximum sound level at normal operating workstations (A-weighted)	
Length, platform retracted	2.84m	Vibration value does not exceed 2.5m/s ²	
Length, platform extended	3.74m	Maximum slope rating, Stowed position	25%
Platform dimensions Platform length × width	2.64×0.81m	Maximum side slope rating, Stowed position	25%
Platform extension length	0.9m	Note: Slope rating is subject to ground conditions and adequate traction.	
Maximum load capacity	200kg	Maximum working slope	X-1.5°,Y-3°
Maximum wind speed	0m/s	Drive speeds	
Wheelbase	2.22m	Stowed, maximum	3.5km/h
Turning radius (outside)	2.65m	Platform raised, maximum	0.8km/h
Turning radius (inside)	0m	Floor loading information	
Ground clearance	10cm	Tire load, maximum	1160kg
Ground clearance Pothole guards deployed	1.9cm	Tire contact pressure	11.4kg/cm ² 1118.9kPa
Weight	(3100kg)	Occupied floor pressure	915.5kg/m ² 8.97kPa
Machine weights vary with option configurations		Note: Floor loading information is approximate and does not incorporate different option configurations.	
Power source	4 Batteries , 6V 240AH	It should be used only with adequate safety factors.	
Controls	Proportional	Continuous improvement of our products is a DINGLI policy. Product specifications are subject to change without notice or obligation.	
AC outlet in platform	Standard		

Specifications

Model: S0608E

Height, working maximum	8m	Maximum hydraulic pressure (functions)	240bar
Height, platform maximum	6m	System voltage	24V
Height, stowed maximum Rails up	2.21m	Tire size	Φ381×127mm
Height, stowed maximum Rails lowered	1.75m	Airborne noise emissions	<70dB
Width	0.81m	Maximum sound level at normal operating workstations (A-weighted)	
Length, platform retracted	2.48m	Vibration value does not exceed 2.5m/s ²	
Length, platform extended	3.38m	Maximum slope rating, Stowed position	25%
Platform dimensions Platform length × width	2.27×0.81m	Maximum side slope rating, Stowed position	25%
Platform extension length	0.9m	Note: Slope rating is subject to ground conditions and adequate traction.	
Maximum load capacity	380kg	Maximum working slope	X-2°,Y-3°
Maximum wind speed	12.5m/s	Drive speeds	
Wheelbase	1.87m	Stowed, maximum	4.5km/h
Turning radius (outside)	2.10m	Platform raised, maximum	0.8km/h
Turning radius (inside)	0m	Floor loading information	
Ground clearance	10cm	Tire load, maximum	830kg
Ground clearance Pothole guards deployed	1.9cm	Tire contact pressure	8.17kg/cm ² 800.6kPa
Weight	(2125kg)	Occupied floor pressure	1135kg/m ² 11.1kPa
Machine weights vary with option configurations		Note: Floor loading information is approximate and does not incorporate different option configurations.	
Power source	4 Batteries , 6V 225AH	It should be used only with adequate safety factors.	
Controls	Proportional	Continuous improvement of our products is a DINGLI policy. Product specifications are subject to change without notice or obligation.	
AC outlet in platform	Standard		

Specifications**Model: S0808E**

Height, working maximum	10m	Maximum hydraulic pressure (functions)	240bar
Height, platform maximum	8m	System voltage	24V
Height, stowed maximum Rails up	2.34m	Tire size	Φ381×127mm
Height, stowed maximum Rails lowered	1.88m	Airborne noise emissions	<70dB
Width	0.81m	Maximum sound level at normal operating workstations (A-weighted)	
Length, platform retracted	2.48m	Vibration value does not exceed 2.5m/s ²	
Length, platform extended	3.38m	Maximum slope rating, Stowed position	25%
Platform dimensions Platform length × width	2.27×0.81m	Maximum side slope rating, Stowed position	25%
Platform extension length	0.9m	Note: Slope rating is subject to ground conditions and adequate traction.	
Maximum load capacity	230kg	Maximum working slope	X-1.5°,Y-3°
Maximum wind speed	0m/s	Drive speeds	
Wheelbase	1.87m	Stowed, maximum	4.5km/h
Turning radius (outside)	2.10m	Platform raised, maximum	0.8km/h
Turning radius (inside)	0m	Floor loading information	
Ground clearance	10cm	Tire load, maximum	830kg
Ground clearance Pothole guards deployed	1.9cm	Tire contact pressure	8.17kg/cm ² 800.6kPa
Weight	(2180kg)	Occupied floor pressure	1150kg/m ² 11.2kPa
Machine weights vary with option configurations		Note: Floor loading information is approximate and does not incorporate different option configurations.	
Power source	4 Batteries , 6V 225AH	It should be used only with adequate safety factors.	
Controls	Proportional	Continuous improvement of our products is a DINGLI policy. Product specifications are subject to change without notice or obligation.	
AC outlet in platform	Standard		

Specifications

Model: S0812E

Height, working maximum	10m	Maximum hydraulic pressure (functions)	240bar
Height, platform maximum	8m	System voltage	24V
Height, stowed maximum Rails up	2.34m	Tire size	Φ381×127mm
Height, stowed maximum Rails lowered	1.86m	Airborne noise emissions	<70dB
Width	1.15m	Maximum sound level at normal operating workstations (A-weighted)	
Length, platform retracted	2.48m	Vibration value does not exceed 2.5m/s ²	
Length, platform extended	3.38m	Maximum slope rating, Stowed position	25%
Platform dimensions Platform length × width	2.27×1.12m	Maximum side slope rating, Stowed position	25%
Platform extension length	0.9m	Note: Slope rating is subject to ground conditions and adequate traction.	
Maximum load capacity	450kg	Maximum working slope	X-2°, Y-3°
Maximum wind speed	12.5m/s	Drive speeds	
Wheelbase	1.87m	Stowed, maximum	4.0km/h
Turning radius (outside)	2.20m	Platform raised, maximum	0.8km/h
Turning radius (inside)	0m	Floor loading information	
Ground clearance	10cm	Tire load, maximum	1050kg
Ground clearance Pothole guards deployed	1.9cm	Tire contact pressure	10.3kg/cm ² 1012.8kPa
Weight	(2655kg)	Occupied floor pressure	859kg/m ² 8.4kPa
Machine weights vary with option configurations		Note: Floor loading information is approximate and does not incorporate different option configurations.	
Power source	4 Batteries , 6V 225AH	It should be used only with adequate safety factors.	
Controls	Proportional	Continuous improvement of our products is a DINGLI policy. Product specifications are subject to change without notice or obligation.	
AC outlet in platform	Standard		

Specifications**Model: S1012E**

Height, working maximum	12m	Maximum hydraulic pressure (functions)	240bar
Height, platform maximum	10m	System voltage	24V
Height, stowed maximum Rails up	2.47m	Tire size	Φ381×127mm
Height, stowed maximum Rails lowered	1.99m	Airborne noise emissions	<70dB
Width	1.15m	Maximum sound level at normal operating workstations (A-weighted)	
Length, platform retracted	2.48m	Vibration value does not exceed 2.5m/s ²	
Length, platform extended	3.38m	Maximum slope rating, Stowed position	25%
Platform dimensions Platform length × width	2.27×1.12 m	Maximum side slope rating, Stowed position	25%
Platform extension length	0.9m	Note: Slope rating is subject to ground conditions and adequate traction.	
Maximum load capacity	320kg	Maximum working slope	X-2°,Y-3°
Maximum wind speed	12.5m/s	Drive speeds	
Wheelbase	1.87m	Stowed, maximum	4.0km/h
Turning radius (outside)	2.20m	Platform raised, maximum	0.8km/h
Turning radius (inside)	0m	Floor loading information	
Ground clearance	10cm	Tire load, maximum	1050 kg
Ground clearance Pothole guards deployed	1.9cm	Tire contact pressure	10.3kg/cm ² 1012.8kPa
Weight	(2965kg)	Occupied floor pressure	985kg/m ² 9.6kPa
Machine weights vary with option configurations		Note: Floor loading information is approximate and does not incorporate different option configurations.	
Power source	4 Batteries , 6V 225AH	It should be used only with adequate safety factors.	
Controls	Proportional	Continuous improvement of our products is a DINGLI policy. Product specifications are subject to change without notice or obligation.	
AC outlet in platform	Standard		

Specifications

Model: S1212E

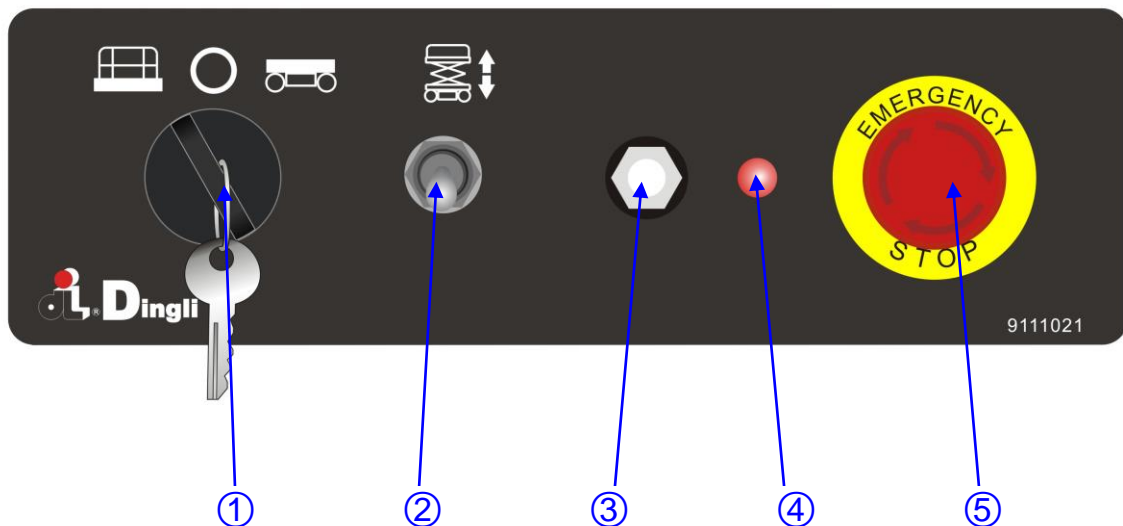
Height, working maximum	13.8m	Maximum hydraulic pressure (functions)	240bar
Height, platform maximum	11.8m	System voltage	24V
Height, stowed maximum Rails up	2.59m	Tire size	Φ381×127mm
Height, stowed maximum Rails lowered	2.17m	Airborne noise emissions	<70dB
Width	1.15m	Maximum sound level at normal operating workstations (A-weighted)	
Length, platform retracted	2.48m	Vibration value does not exceed 2.5m/s ²	
Length, platform extended	3.38m	Maximum slope rating, Stowed position	25%
Platform dimensions Platform length × width	2.27×1.12m	Maximum side slope rating, Stowed position	25%
Platform extension length	0.9m	Note: Slope rating is subject to ground conditions and adequate traction.	
Maximum load capacity	320kg	Maximum working slope	X-1.5°,Y-3°
Maximum wind speed	0m/s	Drive speeds	
Wheelbase	1.87m	Stowed, maximum	4.0km/h
Turning radius (outside)	2.20m	Platform raised, maximum	0.8km/h
Turning radius (inside)	0m	Floor loading information	
Ground clearance	10cm	Tire load, maximum	1160kg
Ground clearance Pothole guards deployed	1.9cm	Tire contact pressure	11.4kg/cm ² 1118.9kPa
Weight	(2910kg)	Occupied floor pressure	1080kg/m ² 10.6kPa
Machine weights vary with option configurations		Note: Floor loading information is approximate and does not incorporate different option configurations.	
Power source	4 Batteries , 6V 240AH	It should be used only with adequate safety factors.	
Controls	Proportional	Continuous improvement of our products is a DINGLI policy. Product specifications are subject to change without notice or obligation.	
AC outlet in platform	Standard		

Specifications**Model: S1412E**

Height, working maximum	15.7m	Maximum hydraulic pressure (functions)	240bar
Height, platform maximum	13.7m	System voltage	24V
Height, stowed maximum Rails up	2.59m	Tire size	Φ381×127mm
Height, stowed maximum Rails lowered	2.17m	Airborne noise emissions	<70dB
Width	1.25m	Maximum sound level at normal operating workstations (A-weighted)	
Length, platform retracted	2.84m	Vibration value does not exceed 2.5m/s ²	
Length, platform extended	3.74 m	Maximum slope rating, Stowed position	25%
Platform dimensions Platform length × width	2.64×0.81m	Maximum side slope rating, Stowed position	25%
Platform extension length	0.9m	Note: Slope rating is subject to ground conditions and adequate traction.	
Maximum load capacity	200kg	Maximum working slope	X-1.5°,Y-3°
Maximum wind speed	0m/s	Drive speeds	
Wheelbase	2.22m	Stowed, maximum	4.0km/h
Turning radius (outside)	2.65m	Platform raised, maximum	0.8km/h
Turning radius (inside)	0m	Floor loading information	
Ground clearance	10cm	Tire load, maximum	1160kg
Ground clearance Pothole guards deployed	1.9cm	Tire contact pressure	11.4kg/cm ² 1118.9kPa
Weight	(3150kg)	Occupied floor pressure	1004kg/m ² 9.84kPa
Machine weights vary with option configurations		Note: Floor loading information is approximate and does not incorporate different option configurations.	
Power source	4 Batteries , 6V 240AH	It should be used only with adequate safety factors.	
Controls	Proportional	Continuous improvement of our products is a DINGLI policy. Product specifications are subject to change without notice or obligation.	
AC outlet in platform	Standard		

Control Panel

Ground Control Panel



- 1 Key switch for platform / off / ground control selection

Turn the key switch to the platform position and the platform controls will operate. Turn the key switch to the off position and the machine will be off. Turn the key switch to the base position and the ground controls will operate.

- 2 Platform up / down switch

Move the switch up and the platform will raise. Move the switch down and the platform will lower.

- 3 7 amp breaker for electric circuits

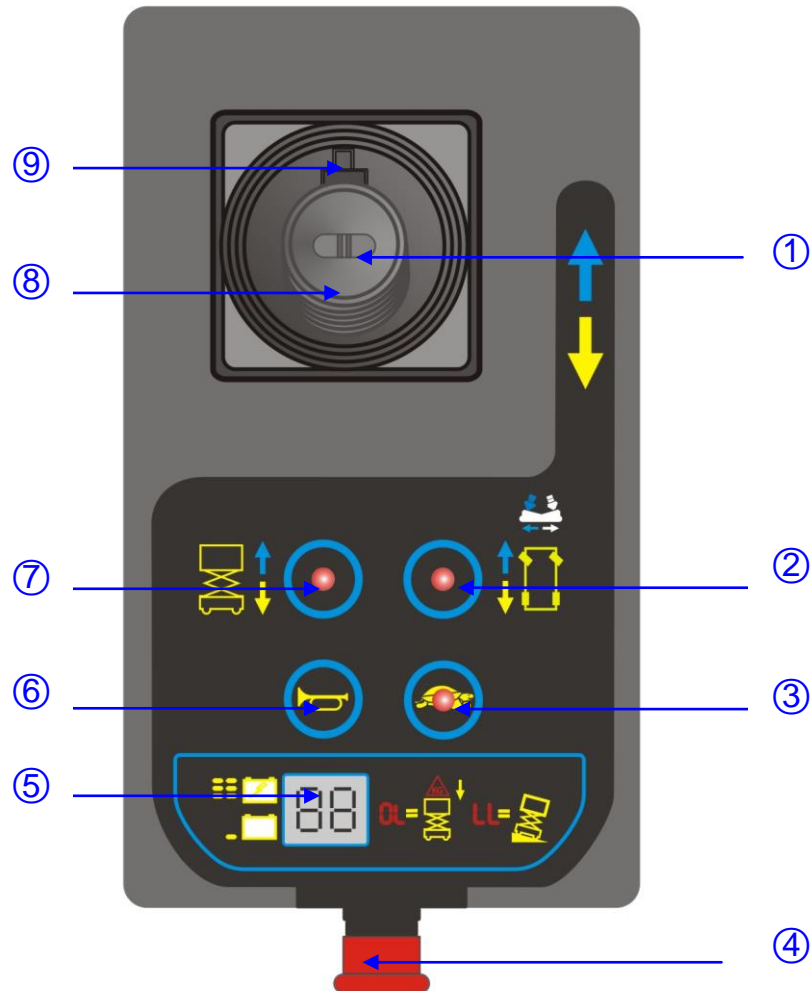
- 4 Indicator light

- 5 Red Emergency Stop button

Push in the red Emergency Stop button to the off position to stop all functions. Pull out the red Emergency Stop button to the on position to operate the machine.

Control Panel

Platform Control Panel



- | | | | |
|---|---|---|---|
| 1 | Thumb rocker switch for steer functions | 6 | Horn button |
| 2 | Drive function select button | 7 | Lift function select button |
| 3 | Drive speed button | 8 | Proportional control handle |
| 4 | Red Emergency Stop button | 9 | Function enable switch for lift and drive functions |
| 5 | LED | | |

Control Panel

Platform Control Panel

- 1 Thumb rocker switch for steer functions
Press the thumb rocker switch in either direction to activate steer
- 2 Drive function select button
Press this button to activate the drive function.
- 3 Drive speed button
Press this button to activate the slow or fast drive function.
- 4 Red Emergency Stop button
Push in the red Emergency Stop button to the off position to stop all functions. Pull out the red Emergency Stop button to the on position to operate the machine.
- 5 LED
Diagnostic readout and battery charge indicator.
- 6 Horn Button
Push the horn button and the horn will sound. Release the horn button and the horn will stop.
- 7 Lift function select button
Press this button to activate the lift function.
- 8 Proportional control handle
- 9 Function enable switch for lift and drive functions

Lift function: Press and hold the function enable switch to enable the lift function on the platform control handle. Move the control handle in the direction indicated by the blue arrow and the platform will raise. Move the control handle in the direction indicated by the yellow arrow and the platform will lower. The descent alarm should sound while the platform is lowering.

Drive function: Press and hold the function enable switch to enable the drive function on the platform control handle. Move the control handle in the direction indicated by the blue arrow on the control panel and the machine will move in the direction that the blue arrow points. Move the control handle in the direction indicated by the yellow arrow on the control panel and the machine will move in the direction that the yellow arrow points.

Pre-operation Inspection



Do Not Operate Unless:

✓ You learn and practice the principles of safe machine operation contained in this operator's manual.

- 1 Avoid hazardous situations.
- 2 **Always perform a pre-operation inspection.**

Know and understand the pre-operation inspection before going on to the next section.

- 3 Inspect the workplace.
- 4 Always perform function tests prior to use.
- 5 Only use the machine as it was intended.

Fundamentals

It is the responsibility of the operator to perform a pre-operation inspection and routine maintenance.

The pre-operation inspection is a visual inspection performed by the operator prior to each work shift. The inspection is designed to discover if anything is apparently wrong with a machine before the operator performs the function tests.

The pre-operation inspection also serves to determine if routine maintenance procedures are required. Only routine maintenance items specified in this manual may be performed by the operator.

Refer to the list on the next page and check each of the items.

If damage or any unauthorized variation from factory delivered condition is discovered, the machine must be tagged and removed from service.

Repairs to the machine may only be made by a qualified service technician, according to the manufacturer's specifications. After repairs are completed, the operator must perform a pre-operation inspection again before going on to the function tests.

Scheduled maintenance inspections shall be performed by qualified service technicians, according to the manufacturer's specifications and the requirements listed in this manual.

Pre-operation Inspection

Pre-operation Inspection

- Be sure that the operator's manual are complete, legible and in the storage container located in the platform.
- Be sure that all decals are legible and in place. See Decals section.
- Check for hydraulic oil leaks and proper oil level. Add oil if needed. See Maintenance section.
- Check for battery fluid leaks and proper fluid level. Add distilled water if needed. See Maintenance section.

Check the following components or areas for damage, improperly installed or missing parts and unauthorized modifications:

- Electrical components, wiring and electrical cables
- Hydraulic hoses, fittings, cylinders and manifolds
- Battery pack and connections
- Drive motors
- Wear pads
- Tires and wheels
- Ground strap
- Limit switches, alarms and horn
- Nuts, bolts and other fasteners
- Platform overload components
- Platform entry gate
- Beacon and alarms (if equipped)
- Safety arm
- Platform extension(s)
- Scissor pins and retaining fasteners
- Platform control joystick
- Brake release components
- Pothole guard

Check entire machine for:

- Cracks in welds or structural components
- Dents or damage to machine
- Be sure that all structural and other critical components are present and all associated fasteners and pins are in place and properly tightened
- Be sure side rails are installed and rail pins and bolts are fastened.
- Be sure that the chassis trays are closed and latched and the batteries are properly connected.

Note: If the platform must be raised to inspect the machine, make sure the safety arm is in place. See Operating Instructions section.

Workplace Inspection



Do Not Operate Unless:

You learn and practice the principles of safe machine operation contained in this operator's manual.

- 1 Avoid hazardous situations.
- 2 Always perform a pre-operation inspection.
- 3 Inspect the workplace.**

Know and understand the workplace inspection before going on to the next section.

- 4 Always perform function tests prior to use.
- 5 Only use the machine as it was intended.

Fundamentals

The workplace inspection helps the operator determine if the workplace is suitable for safe machine operation. It should be performed by the operator prior to moving the machine to the workplace.

It is the operator's responsibility to read and remember the workplace hazards, then watch for and avoid them while moving, setting up and operating the machine.

Workplace Inspection

Be aware of and avoid the following hazardous situations:

- Drop-offs or holes
- Bumps, floor obstructions or debris
- Sloped surfaces
- Unstable or slippery surfaces
- Overhead obstructions and high voltage conductors
- Hazardous locations
- Inadequate surface support to withstand all load forces imposed by the machine
- Wind and weather conditions
- The presence of unauthorized personnel
- Other possible unsafe conditions

Function Tests



Do Not Operate Unless:

You learn and practice the principles of safe machine operation contained in this operator's manual.

- 1 Avoid hazardous situations.
- 2 Always perform a pre-operation inspection.
- 3 Inspect the workplace.
- 4 **Always perform function tests prior to use.**

Know and understand the function tests before going on to the next section.

- 5 Only use the machine as it was intended.

Fundamentals

The function tests are designed to discover any malfunctions before the machine is put into service.

The operator must follow the step-by-step instructions to test all machine functions.

A malfunctioning machine must never be used. If malfunctions are discovered, the machine must be tagged and removed from service.

Repairs to the machine may only be made by a qualified service technician, according to the manufacturer's specifications.

After repairs are completed, the operator must perform a pre-operation inspection and function tests again before putting the machine into service.

Function Tests

- 1 Select a test area that is firm, level and free of obstruction.
- 2 Be sure the battery pack is connected.

At the Ground Controls

- 3 Pull out the platform and ground red Emergency Stop buttons to the on position.
- 4 Turn the key switch to ground control.
- 5 Observe the diagnostic LED readout on the ECU window.

- ⊙ Result: The LED should look like the picture at right.



Test Emergency Stop

- 6 Push in the ground red Emergency Stop button to the off position.
- ⊙ Result: No functions should operate.
- 7 Pull out the red Emergency Stop button to the on position.

Test Up/Down Functions

A buzzer with different sound frequency is controlled in central system. The descent alarm sounds at 60 beeps per minute. The alarm that goes off when the pothole guards have not deployed sounds at 150 beeps per minute. The alarm that goes off when the machine is not level sounds at 150 beeps per minute. An optional automotive-style horn is also available.

- 8 Turn the key switch to off or platform position.
 - 9 Move up and hold the platform up / down switch.
- ⊙ Result: No function should operate.
- 10 Turn the key switch to ground control position.
 - 11 Move up and hold the platform up / down

switch.

- ⊙ Result: The platform should rise.
- 12 Move down and hold the platform up / down switch.
- ⊙ Result: The platform should lower then stop at the height is 2 m. The descent alarm should sound while the platform is lowering.
- 13 Move down and hold the platform up / down switch.
- ⊙ Result: The platform should lower to end. The descent alarm should sound while the platform is lowering.

Test the Emergency Lowering

- 14 Activate the up function and raise the platform approximately 60 cm.
 - 15 Pull the emergency lowering knob located the entry ladder end.
- ⊙ Result: The platform should lower. The descent alarm will not sound.
- 16 Turn the key switch to platform control.

At the Platform Controls

Test Emergency Stop

- 17 Push in the platform red Emergency Stop button to the off position.
- ⊙ Result: No functions should operate.
- 18 Pull the red Emergency Stop button out to the on position.
- ⊙ Result: The LED indicator light should come on.

Test the Horn

- 19 Push the horn button.
- ⊙ Result: The horn should sound.

Function Tests

Test Function Enable and Up/Down Functions

- 20 Do not hold the function enable switch on the control handle.
- 21 Slowly move the control handle in the direction indicated by the blue arrow, then in the direction indicated by the yellow arrow.
- ⊙ Result: No functions should operate.
- 22 Press the lift function select button.
- 23 Press and hold the function enable switch on the control handle.
- 24 Slowly move the control handle in the direction indicated by the blue arrow.
- ⊙ Result: The platform should raise. The pothole guards should deploy.
- 25 Release the control handle.
- ⊙ Result: The platform should stop raising.
- 26 Press and hold the function enable switch. Slowly move the control handle in the direction indicated by the yellow arrow.
- ⊙ Result: The platform should lower. The descent alarm should sound while the platform is lowering.

Test the Steering

Note: When performing the steer and drive function tests, stand in the platform facing the steer end of the machine.

- 27 Press the drive function select switch.
- 28 Press and hold the function enable switch on the control handle.
- 29 Depress the thumb rocker switch on top of the control handle in the direction identified by the blue left arrow on the control panel.
- ⊙ Result: The steer wheels should turn in the direction that the blue left arrow points on the control panel.

- 30 Depress the thumb rocker switch in the direction identified by the white right arrow on the control panel.
- ⊙ Result: The steer wheels should turn in the direction that the white right arrow points on the control panel.

Test Drive and Braking

- 31 Press and hold the function enable switch on the control handle.
- 32 Slowly move the control handle in the direction indicated by the blue up arrow on the control panel until the machine begins to move, then return the handle to the center position.
- ⊙ Result: The machine should move in the direction that the blue up arrow points on the control panel, then come to an abrupt stop.
- 33 Press and hold the function enable switch on the control handle.
- 34 Slowly move the control handle in the direction indicated by the yellow down arrow on the control panel until the machine begins to move, then return the handle to the center position.
- ⊙ Result: The machine should move in the direction that the yellow down arrow points on the control panel, then come to an abrupt stop.

Note: The brakes must be able to hold the machine on any slope it is able to climb.

Test Limited Drive Speed

- 35 Press and hold the lift function enable switch. Raise the platform approximately 2m from the ground.
- ⊙ Result: The pothole guards should deploy.
- 36 Press and hold the function enable switch on the control handle.

Function Tests

37 Slowly move the control handle to the full drive position.

⊙ Result: The maximum achievable drive speed with the platform raised should not exceed 20 cm/s.

⊗ Result: If the drive speed with the platform raised exceeds 20 cm/s, immediately tag and remove the machine from service.

Test the Tilt Sensor Operation

Note: Perform this test from the ground with the platform controller. Do not stand in the platform.

38 Fully lower the platform.

39 Place a 3.5x20cm or similar piece of wood under both wheels on one side and drive the machine up onto them.

40 Raise the platform at least 2m.

⊙ Result: The platform should stop and the tilt alarm will sound at 180 beeps per minute.

41 Move the drive control handle in the direction indicated by the blue up arrow, then move the drive control handle in the direction indicated by the white down arrow.

⊙ Result: The drive function should not work in either direction.

42 Lower the platform and drive the machine off the block.

Test the Pothole Guards

Note: The pothole guards should automatically deploy when the platform is raised. The pothole guards activate another limit switch which allows the machine to continue to function. If the pothole guards do not deploy, an alarm sounds and the machine will not drive.

43 Raise the platform.

⊙ Result: When the platform is raised 2m

from the ground, the pothole guards should deploy.

44 Press on the pothole guards on one side, and then the other.

⊙ Result: The pothole guards should not move.

45 Lower the platform.

⊙ Result: The pothole guards should return to the stowed position.

46 Place a 3.5x20cm or similar piece of wood under a pothole guard. Raise the platform.

⊙ Result: Before the platform is raised 2m from the ground, an alarm should sound and the drive function should not Work.

47 Lower the platform and remove the 3.5x20cm wood block.

Operating Instructions



Do Not Operate Unless:

- You learn and practice the principles of safe machine operation contained in this operator's manual.
 - 1 Avoid hazardous situations.
 - 2 Always perform a pre-operation inspection.
 - 3 Inspect the workplace.
 - 4 Always perform function tests prior to use.
 - 5 **Only use the machine as it was intended.**

Fundamentals

This machine is a self-propelled hydraulic lift equipped with a work platform on the scissor mechanism. Vibrations emitted by these machines are not hazardous to an operator in the work platform. The machine can be used to position personnel with their tools and supplies at position above ground level and can be used to reach work areas located above and over machinery or equipment.

A full and detailed implementation of EN ISO 13849-1/2 is correctly applied on our MEWP design. SISTEMA, a software tool for PL Calculation Tool, is also used to perform some relatively straightforward calculations on subsystem to determine the overall PL of the system. Reliability data, diagnostic coverage [DC], the system architecture [Category], common cause failure and, where relevant, requirements for software are used to assess the PL to comply with PLr of SRP/CS in Clause 5.11 of EN 280.

The Operating Instructions section provides instructions for each aspect of machine operation.

It is the operator's responsibility to follow all the safety rules and instructions in the operator's manual.

Using the machine for anything other than lifting personnel, along with their tools and materials, to an aerial work site is unsafe and dangerous.

Only trained and authorized personnel should be permitted to operate a machine. If more than one operator is expected to use a machine at different times in the same work shift, they must all be qualified operators and are all expected to follow all safety rules and instructions in the operator's manual. That means every new operator should perform a pre-operation inspection, function tests, and a workplace inspection before using the machine.

Operating Instructions

Emergency Stop

Push in the red Emergency Stop button to the off position at the ground controls or the platform controls to stop all machine functions.

Repair any function that operates when either red Emergency Stop button is pushed in.

Emergency Lowering

- 1 Pull the emergency lowering knob.

Operation from Ground

- 1 Turn the key switch to ground control.
- 2 Pull out both ground and platform red Emergency Stop buttons to the on position.
- 3 Be sure the battery pack is connected before operating the machine.

To Position Platform

- 1 Move the up/down toggle switch according to the markings on the control panel.

Drive and steer functions are not available from the ground controls.

Operation from Platform

- 1 Turn the key switch to platform control.
- 2 Pull out the ground and platform red Emergency Stop buttons to the on position.
- 3 Be sure the battery pack is connected before operating the machine.

To Position Platform

- 1 Press the lift function select button.
- 2 Press and hold the lift function enable switch on the control handle.

- 3 Move the control handle according to the markings on the control panel.

To Steer

- 1 Press the drive function select button.
- 2 Press and hold the function enable switch on the control handle.
- 3 Turn the steer wheels with the thumb rocker switch located on the top of the control handle.

To Drive

- 1 Press the drive function select button.
- 2 Press and hold the function enable switch on the control handle.
- 3 Increase speed: Slowly move the control handle off center.

Decrease speed: Slowly move the control handle toward center.

Stop: Return the control handle to center or release the function enable switch.

Use the color-coded direction arrows on the platform controls to identify the direction the machine will travel.

Machine travel speed is restricted when the platform is raised.

Battery condition will affect machine performance. Machine drive speed and function speed will drop when the battery level indicator is flashing.

To reduce drive speed

The drive controls can operate in two different drive speed modes. When the drive speed button light is on, slow drive speed mode is active. When the button light is off, fast drive speed mode is active.

Press the drive speed button to select the desired drive speed.

Operating Instructions

▲ Driving on a slope

Determine the slope and side slope ratings for the machine and determine the slope grade.

S0608, S0808, S0812, S1012, S1212, S1412

Maximum slope rating, stowed position 25%,

Maximum side slope rating, stowed position 25%

Note: Slope rating is subject to ground conditions and adequate traction.

Press the drive speed button to the fast drive speed mode.

To determine the slope grade

Measure the slope with a digital inclinometer OR use the following procedure.

You will need:

Carpenter's level

Straight piece of wood, at least 1 m long

Tape measure

Lay the piece of wood on the slope.

At the downhill end, lay the level on the top edge of the piece of wood and lift the end until the piece of wood is level.

While holding the piece of wood level, measure the distance from the bottom of the piece of wood to the ground.

Divide the tape measure distance (rise) by the length of the piece of wood (run) and multiply by 100.

Example:

Run = 3.6 m

Rise = 0.3 m

$0.3 \text{ m} \div 3.6 \text{ m} = 0.083 \times 100 = 8.3\%$



If the slope exceeds the maximum slope or side slope rating, the machine must be winched or transported up or down the slope. See Transport and Lifting section.

Operation from Ground with Controller

Maintain safe distances between operator, machine and fixed objects.

Be aware of the direction the machine will travel when using the controller.

Battery Level Indicator



Use the LED diagnostic readout to determine the battery level.

How to use the Safety Arm

- 1 Raise the platform approximately 2.5 m from the ground.
- 2 Lift the safety arm, move it to the center of the scissor arm and rotate up to a vertical position.
- 3 Lower the platform until the safety arm rests securely on the link. Keep clear of the safety arm when lowering the platform.

⚠ DANGER Don't engage the safety arm unless unload the platform.

How to Fold Down the Guardrails

The platform railing system consists of three fold down rail section for the extension deck and three sections for the main deck. All sections are held in place by four wire lock pins.

- 1 Fully lower the platform and retract the platform extension.
- 2 Remove the platform controls.

Operating Instructions

- 3 From inside the platform, remove the two front extension deck wire lock pins.
 - 4 Fold down the front rail assembly. Keep hands clear of pinch points.
 - 5 Replace the two removed pins back into each side rail bracket.
 - 6 Fold down the extension platform right rail assembly. Keep hands clear of pinch points.
 - 7 Fold down the extension platform left rail assembly. Keep hands clear of pinch points.
 - 8 Carefully open the gate and move to the rear step or the ground.
 - 9 From the rear step or from the ground, remove the right rear main deck wire lock pins.
 - 10 Fold down the right rail assembly. Keep hands clear of pinch points.
 - 11 Replace the removed pin back into rear rail bracket.
 - 12 Remove the left rear main deck wire lock pins.
 - 13 Fold down the left rail assembly. Keep hands clear of pinch points.
 - 14 Replace the removed pin back into rear rail bracket.
 - 15 Fold down the rear rail assemble. Keep hands free of pinch points.
- 2 Push the platform extension guardrail to extend the platform to the desired position.

Do not stand on the platform extension while trying to extend it.

How to Raise the Guardrails

Follow the fold down instructions but in reverse order.

To Extend and Retract Platform

- 1 Press the platform lock pin pedal on the extension deck by foot.

Operating Instructions

Error indicator readout



If the LED diagnostic readout displays an error code, such as LL, push in and pull out the red Emergency Stop button to reset the system.

List of Fault Codes

Display	Description	Lift Reaction
01	System initialization Fault	Disables All Motion
02	System communication Fault	Disables All Motion
03	Invalid option setting Fault	Disables All Motion
12	Chassis Up/Down Switch ON at Power-up Fault	Disable Chassis Control
18	Pothole Guard Fault	Disable Lifting and Driving
31	Pressure Sensor Fault	Disables All Motion
32	Angle Sensor Fault	Disables All Motion
34	Reserved	
42	Platform Left Turn Switch ON at power-up Message	Diagnostic Message Only
43	Platform Right Turn Switch ON at power-up Message	Diagnostic Message Only
46	Platform Joystick Enable Switch ON at power-up Fault	Disable Platform Control
47	Platform Joystick not in neutral at power-up Message	Diagnostic Message Only
52	Drive Forward Coil Fault	Disable Lifting and Driving
53	Drive Reverse Coil Fault	Disable Lifting and Driving
54	Lift Up Coil Fault	Disable Lifting and Driving
55	Lift Down Coil Fault	Disable Lifting and Driving
56	Right Turn Coil Fault	Disable Lifting and Driving
57	Left Turn Coil Fault	Disable Lifting and Driving
58	General Brake Coil Fault	Disable Lifting and Driving
59	Parallel Coil Fault	Disable Lifting and Driving
61	Motor Controller Current Sensor Fault	Controller Dependent
62	Motor Controller Hardware Failsafe Fault	Controller Dependent

Operating Instructions

Display	Description	Lift Reaction
63	Motor Controller Motor Output Fault	Controller Dependent
64	Motor Controller SRO Fault	Controller Dependent
65	Motor Controller Throttle Fault	Controller Dependent
66	Motor Controller Emergency Reverse Fault	Controller Dependent
67	Motor Controller HPD Fault	Controller Dependent
68	Low Voltage Fault	Disable All Motion
69	High Neutral Current Fault (ZAPI Only)	Disable All Motion
70	Steering Input Out of Range (ZAPI Only)	Disable All Motion
71	Motor Controller Main Contactor Fault	Disable Lifting and Driving
72	Motor Controller Over Voltage Fault	Controller Dependent
73	Motor Controller Thermal Cutback Fault	Controller Dependent
74	Motor Controller Motor Fault	Controller Dependent
75	Motor Controller Pump Motor Fault	Controller Dependent
76	Motor Controller Left Drive Motor Fault	Controller Dependent
77	Motor Controller Right Drive Motor Fault	Controller Dependent
78	Pump Motor Short Fault	Disable Lifting and Driving
79	Left Drive Motor Short Fault	Disable Lifting and Driving
80	Over 80% Load Warning	Warning Only
81	Right Drive Motor Short Fault	Disable Lifting and Driving
82	Right Brake Coil Fault	Disable Lifting and Driving
83	Left Brake Coil Fault	Disable Lifting and Driving
90	Over 90% Load Warning	Warning Only
99	Over 99% Load Warning	Warning Only
OL	Overloaded Platform Fault	Disable All Motion
LL	Machine Tilted Beyond Safe Limits Fault	Disable Lifting and Driving

Operating Instructions

Troubleshooting Guide

Display	Description
01	System Initialization Fault: ECU may be malfunctioning, replace it.
02	System Communication Fault: Check communications cable connections and other wiring. If that does not resolve the problem, try replacing the PCU or ECU.
03	Invalid Option setting Fault: Set appropriate option for this lift.
12	Chassis Toggle Switch ON at power-up Fault: Check the wires to the Toggle Switch or look for a stuck Toggle Switch.
18	Pothole Guard Fault: Check that the pothole guards are extended, check the pothole limit switches. Check wires to the switches, check the down limit switch and connections.
31	Pressure Sensor Fault: Check the wiring to the sensor and then the sensor itself. Also check to make sure that the correct option is properly selected (or not) for load sensing.
32	Angle Sensor Fault: Check the wiring to the sensor and then the sensor itself. Also check to make sure that the correct option is properly selected (or not) for load sensing.
42	Platform Left Turn Switch ON at power-up Message: Ensure that nothing is holding the Joystick Toggle Switches down. If OK, consider replacing the Joystick or PCU.
43	Platform Right Turn Switch ON at power-up Message: Ensure that nothing is holding the Joystick Toggle Switches down. If OK, consider replacing the Joystick or PCU.
46	Platform Joystick Enable Switch ON at power-up Fault: Ensure that nothing is holding the Enable switch closed. Also check the neutral zone parameters. If OK, consider replacing the Joystick or PCU.
47	Platform Joystick not in neutral at power-up Message: Make sure that the Joystick is in the neutral (upright) position. Check the neutral zone parameter setting in Dingli Scissor Programmer. If it's OK, consider replacing the Joystick or the PCU.
52	Drive Forward Coil Fault: Check the connections to the Coil's terminals and make sure they are tight. If so, check the coil itself to see if it is open or shorted.
53	Drive Reverse Coil Fault: Check the connections to the Coil's terminals and make sure they are tight. If so, check the coil itself to see if it is open or shorted.
54	Lift Up Coil Fault: Check the connections to the Coil's terminals and make sure they are tight. If so, check the coil itself to see if it is open or shorted.
55	Lift Down Coil Fault: Check the connections to the Coil's terminals and make sure they are tight. If so, check the coil itself to see if it is open or shorted.
56	Right Turn Coil Fault: Check the connections to the Coil's terminals and make sure they are tight. If so, check the coil itself to see if it is open or shorted.
57	Left Turn Coil Fault: Check the connections to the Coil's terminals and make sure they are tight. If so, check the coil itself to see if it is open or shorted.
58	General Brake Coil Fault: Check the connections to the Coil's terminals and make sure they are tight. If so, check the coil itself to see if it is open or shorted.

Operating Instructions

Display	Description
59	Parallel Coil Fault: Check the connections to the Coil's terminals and make sure they are tight. If so, check the coil itself to see if it is open or shorted.
61	Motor Controller Current Sensor Fault: Drive or Lift Motor may be overheating. Let the lift cool down. If that does not help, cycle power to reset the Motor controller. If the problem persists, check the wiring and if OK, try replacing the Motor Controller.
62	Motor Controller Hardware Failsafe Fault: Cycle power. If that does not resolve the issue check for noise sources. If still needed, try replacing the Motor Controller.
63	Motor Controller Motor Output fault: Check wiring first then cycle power. If needed replace controller.
64	Motor Controller SRO Fault: Look at motor enable delay with the Dingli Scissor Programmer, it may be too short. Make sure other Motor Controller parameters are properly selected.
65	Motor Controller Throttle Fault: Check wiring. Make sure the correct throttle type is selected in the Motor Controller.
67	Motor Controller HPD Fault: Look at motor enable delay with the Dingli Scissor Programmer, it may be too short. Make sure other Motor Controller parameters are properly selected.
68	Low Voltage Fault: Check battery voltage and charge batteries if necessary. Check the battery connections and tighten or clean. Check the voltage to the ECU and PCU.
69	High Neutral Current: The MC is sensing current in the motors when there should not be. This could occur anytime the MC thinks the brakes are on and the motors are still turning. This message sometimes comes just before other faults but should be ignored in those cases.
70	Steering Input Out of Range: There is an inappropriate voltage at the steering input of the ZAPI motor controller. The ZAPI may need to be "trained" for the three steering voltages (on Differential Steered machines). Or the steering voltage from the ECU was at some point outside of the range that was recorded during the "training" session. Retrain the ZAPI and/or check for fluctuating voltages due to loose wires, etc.
71	Motor Controller Main Contactor Fault: Check the connections to the main contactor. Replace the contactor if necessary. Replace the Motor Controller if necessary.
72	Motor Controller Over Voltage Fault: Check battery voltage and make sure the battery charger is not on. The cycle power to the lift. If that does not resolve the issue, try replacing the Motor Controller.
73	Motor Controller Thermal Cutback Fault: Drive or Lift Motor may be overheating. Let the lift cool down. If that does not help cycle power to reset the Motor controller. If that doesn't resolve the issue, replace the Motor Controller.
74	Motor Controller Motor Fault: Check connections to the motors. Cycle power to the lift and if that does not resolve the issue, replace the Motor Controller.
75	Motor Controller Pump Motor Fault: Check connections to the Pump Motor. Cycle power to the lift and if that does not resolve the issue, replace the Motor Controller.

Operating Instructions

Display	Description
76	Motor Controller Left Drive Motor Fault: Check connections to the motors. Cycle power to the lift and if that does not resolve the issue, replace the Motor Controller.
77	Motor Controller Right Drive Motor Fault: Check connections to the motors. Cycle power to the lift and if that does not resolve the issue, replace the Motor Controller.
78	Pump Motor Short Fault: Check connections to the pump motor. Cycle power to the lift and if that does not resolve the issue, replace the Motor Controller.
79	Left Drive Motor Short Fault: Check the Motor connections and make sure they are tight. Check the Motor for a short.
80	Over 80% Load Warning: Platform is getting close to its limit of weight. Consider not adding more load.
81	Right Drive Motor Short Fault: Check the Motor connections and make sure they are tight. Check the Motor for a short.
82	Right Brake Coil Fault: Check the connections to the Coil's terminals and make sure they are tight. If so, check the coil itself to see if it is open or shorted.
83	Left Brake Coil Fault: Check the connections to the Coil's terminals and make sure they are tight. If so, check the coil itself to see if it is open or shorted.
90	Over 90% Load Warning: Platform is getting close to its limit of weight. Consider not adding more load.
99	Over 99% Load Warning: Platform has reached its limit of weight. Do not add more load.
OL	Overloaded Platform Fault: Remove the excess load immediately.
LL	Machine Tilted Beyond Safe Limits Fault: If the machine is tilted, find a way to make it level. If the machine is level, check the wiring to the tilt sensor and then the sensor itself.

For more information, please consult the appropriate Dingli Service Dept.

Operating Instructions



Battery and Charger Instructions

Observe and Obey:

- Do not use an external charger or booster battery.
- Charge the battery in a well-ventilated area.
- Use proper AC input voltage for charging as indicated on the charger.
- Use only a Dingli authorized battery and charger.

To Charge Battery

- 1 Be sure the batteries are connected before charging the batteries.
- 2 Open the battery compartment. The compartment should remain open for the entire charging cycle.

Maintenance - free batteries

- 3 Connect the battery charger to a grounded AC circuit.
- 4 The charger will indicate when the battery is fully charged.

Standard Batteries

- 5 Remove the battery vent caps and check the battery acid level. If necessary, add only enough distilled water to cover the plates. Do not overfill prior to the charge cycle.

- 6 Replace the battery vent caps.
- 7 Connect the battery charger to a grounded AC circuit.
- 8 The charger will indicate when the battery is fully charged.
- 9 Check the battery acid level when the charging cycle is complete. Replenish with distilled water to the bottom of the fill tube. Do not overfill.

Dry Battery Filling and Charging Instructions

- 1 Remove the battery vent caps and permanently remove the plastic seal from the battery vent openings.
- 2 Fill each cell with battery acid (electrolyte) until the level is sufficient to cover the plates.

Do not fill to maximum level until the battery charge cycle is complete. Overfilling can cause the battery acid to overflow during charging. Neutralize battery acid spills with baking soda and water.

- 3 Install the battery vent caps.
- 4 Charge the battery.
- 5 Check the battery acid level when the charging cycle is complete. Replenish with distilled water to the bottom of the fill tube. Do not overfill.

Transport and Lifting Instructions



Observe and Obey:

- ☑ Common sense and planning must be applied to control the movement of the machine when lifting it with a crane or forklift.
- ☑ Only qualified aerial lift operators should move the machine on or off the truck.
- ☑ The transport vehicle must be parked on a level surface.
- ☑ The transport vehicle must be secured to prevent rolling while the machine is being loaded.
- ☑ Be sure the vehicle capacity, loading surfaces and chains or straps are sufficient to withstand the machine weight. See the serial label for the machine weight.
- ☑ The machine must be on a level surface or secured before releasing the brakes.
- ☑ Do not allow the rails to fall when the snap pins are removed. Maintain a firm grasp on the rails when the rails are lowered.
- ☑ Do not drive the machine on a slope that exceeds the slope or side slope rating. See Driving on a Slope in the Operating Instructions section.
- ☑ If the slope of the transport vehicle bed exceeds the maximum slope rating, the machine must be loaded and unloaded using a winch as described.

Brake Release Operation

For the Hydraulic Motor Drive Model

- 1 Chock the wheels to prevent the machine from rolling.
- 2 Be sure the winch line is properly secured to the drive chassis tie points and the path is clear of all obstructions.
- 3 Push in the black brake release knob to open the brake valve.
- 4 Pump the red brake release pump knob.

For the DC Motor Drive Model

- 1 Chock the wheels to prevent the machine from rolling.
- 2 Pull out the red Emergency Stop button on both the ground and platform controls to the on position.
- 3 Press and hold lift switch to "down" position in ground control, meanwhile turn on the key switch to the "Ground" position. The brake will be released after Alarm alerts.
- 4 If you want to close the brake release, just turn off the key switch in "ground" position.

Towing the Hydraulic Drive Model is not recommended. If the machine must be towed, do not exceed 3.5 km/h.

Towing the DC Motor Drive Model is not recommended. If the machine must be towed, do not exceed 4.1 km/h.

Transport and Lifting Instructions

Securing to Truck or Trailer for Transit

Always chock the machine wheels in preparation for transport.

Retract and secure the extension deck(s).

Turn the key switch to the off position and remove the key before transporting.

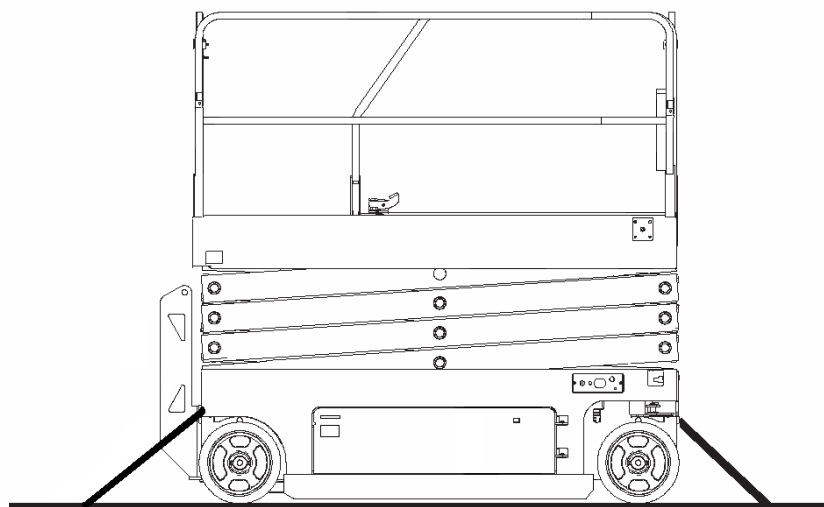
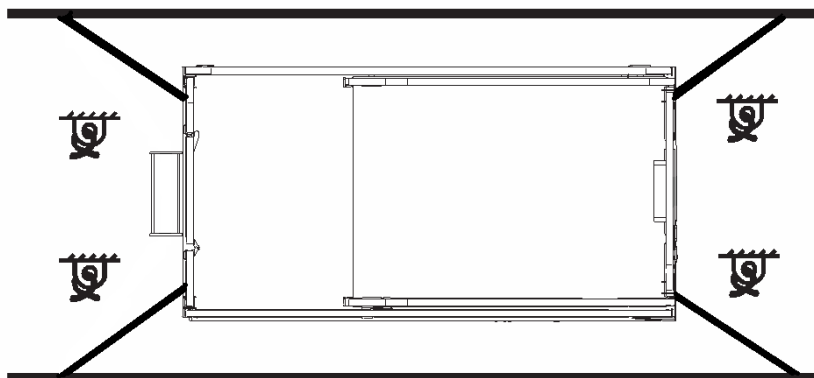
Inspect the entire machine for loose or unsecured items.

Use the tie-down points on the chassis for anchoring down to the transport surface.

Use a minimum of four chains or straps.

Use chains or straps of ample load capacity.

If the railings have been folded down, secure them with straps before transporting.



Transport and Lifting Instructions



Observe and Obey:

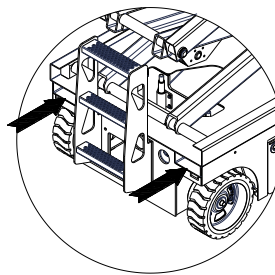
- Only qualified riggers should rig and lift the machine.
- Only qualified forklift operators should lift the machine with a forklift.
- Be sure the crane capacity, loading surfaces and straps or lines are sufficient to withstand the machine weight. See the serial plate for the machine weight.

Lifting the Machine with a Forklift

Be sure the extension deck, controls and component trays are secure. Remove all loose items on the machine.

Fully lower the platform. The platform must remain lowered during all loading and transport procedures.

Use the forklift pockets located on both sides of the ladder.



Position the forklift forks in position with the forklift pockets.

Drive forward to the full extent of the forks.

Raise the machine 6 in / 15 cm and then tilt the forks back slightly to keep the machine secure.

Be sure the machine is level when lowering the forks.

NOTICE

Lifting the machine from the side can result in component damage.

Transport and Lifting Instructions

Lifting Instructions

Fully lower the platform. Be sure the extension decks, controls and covers are secure.

Remove all loose items on the machine.

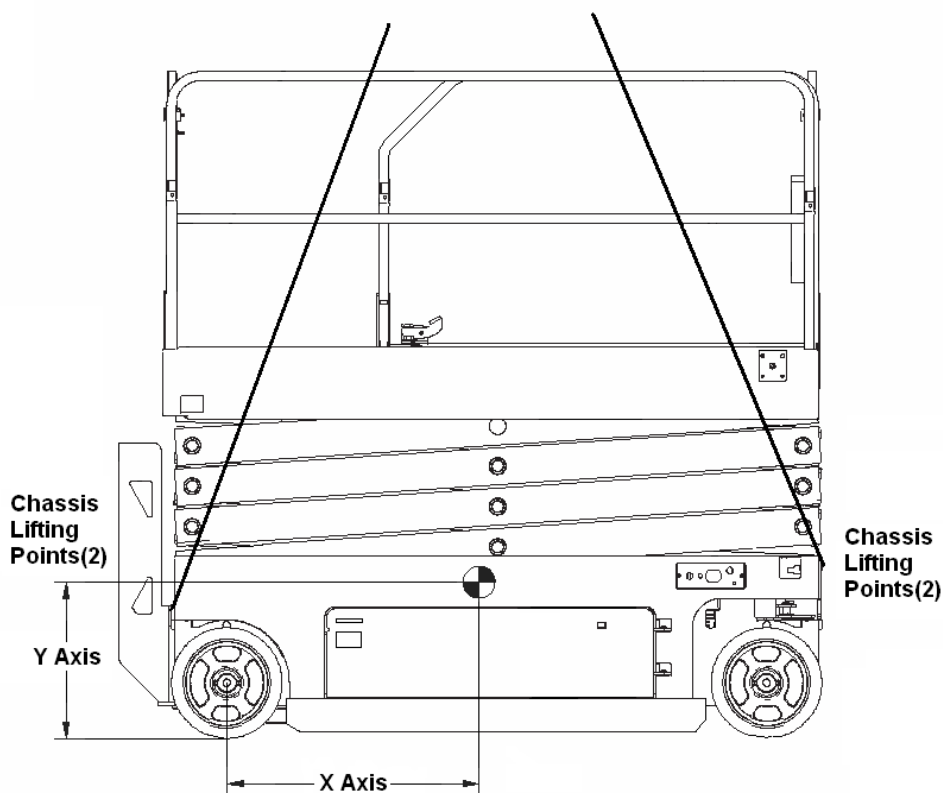
Determine the center of gravity of your machine using the table and the picture on this page.

Attach the rigging only to the designated lifting points on the machine. There are two lifting points on each end of the machine.

Adjust the rigging to prevent damage to the machine and to keep the machine level.

Center of gravity

Model	X Axis	Y Axis
S0608EH S0608E	90.5 cm	56.5cm
S0808EH S0808E	80.6cm	57.6cm
S0812EH S0812E	89cm	64.4cm
S1012EH S1012E	83cm	68.2cm
S1212EH S1212E	83cm	72.1cm
S1412EH S1412E	98cm	70.5cm



Maintenance



Observe and Obey:

- Only routine maintenance items specified in this manual shall be performed by the operator.
- Scheduled maintenance inspections shall be completed by qualified service technicians, according to the manufacturer's specifications and the requirements specified in this manual.

Maintenance Symbols Legend

NOTICE The following symbols have been used in this manual to help communicate the intent of the instructions. When one or more of the symbols appear at the beginning of a maintenance procedure, it conveys the meaning below.



Indicates that tools will be required to perform this procedure.



Indicates that new parts will be required to perform this procedure.



Indicates that dealer service will be required to perform this procedure.

Pre-delivery Preparation Report

The pre-delivery preparation report contains checklists for each type of scheduled inspection.

Make copies of the Pre-delivery Preparation report to use for each inspection. Store completed forms as required.

Maintenance Schedule

There are five types of maintenance inspections that must be performed according to a schedule— daily, quarterly, semi-annually, annually, and two year. The Scheduled Maintenance Procedures Section and the Maintenance Inspection Report have been divided into five subsections—A, B, C, D, and E. Use the following chart to determine which group(s) of procedures are required to perform a scheduled inspection.

Inspection	Checklist
Daily or every 8 hours	A
Quarterly or every 250 hours	A+B
Semi-annually or every 500 hours	A+B+C
Annually or every 1000 hours	A+B+C+D
Two year or every 2000 hours	A+B+C+D+E

Maintenance Inspection Report

The maintenance inspection report contains checklists for each type of scheduled inspection.

Make copies of the Maintenance Inspection Report to use for each inspection. Maintain completed forms for a minimum of 4 years or in compliance with your employer, jobsite and governmental regulations and requirements.

Maintenance

Pre-delivery Preparation Report

Fundamentals

It is the responsibility of the dealer to perform the Pre-delivery Preparation.

The Pre-delivery Preparation is performed prior to each delivery. The inspection is designed to discover if anything is apparently wrong with a machine before it is put into service.

A damaged or modified machine must never be used. If damage or any variation from factory delivered condition is discovered, the machine must be tagged and removed from service.

Repairs to the machine may only be made by a qualified service technician, according to the manufacturer's specifications.

Scheduled maintenance inspections shall be performed by qualified service technicians, according to the manufacturer's specifications and the requirements listed in this manual.

Instructions

Use the operator's manual on your machine.

The Pre-delivery Preparation consists of completing the Pre-operation Inspection, the Maintenance items and the Function Tests.

Use this form to record the results. Place a check in the appropriate box after each part is completed. Follow the instructions in the operator's manual.

If any inspection receives an N, remove the machine from service, repair and re-inspect it. After repair, place a check in the R box.

Legend

Y = yes, completed

N = no, unable to complete

R = repaired

Comments

Pre-Delivery Preparation	Y	N	R
Pre-operation inspection completed			
Maintenance items completed			
Function tests completed			

Model

Serial number

Date

Machine owner

Inspected by (print)

Inspector signature

Inspector title

Inspector company

Maintenance

Maintenance Inspection Report

Model
Serial number
Date
Hour meter
Machine owner
Inspected by (print)
Inspector signature
Inspector title
Inspector company
Instructions
<ul style="list-style-type: none"> • Make copies of this report to use for each inspection. • Select the appropriate checklist(s) for the type of inspection to be performed.
<input type="checkbox"/> Daily or 8 hours Inspection: A
<input type="checkbox"/> Quarterly or 250 hours Inspection: A+ B
<input type="checkbox"/> Semi-annually or 500 hours Inspection: A+B+C
<input type="checkbox"/> Annually or 1000 hours Inspection: A+B+C+D
<input type="checkbox"/> Two year or 2000 hours Inspection: A+B+C+D+E
<ul style="list-style-type: none"> • Place a check in the appropriate box after each inspection procedure is completed. • Use the step-by-step procedures in this section to learn how to perform these inspections. • If any inspection receives an "N", tag and remove the machine from service, repair and re-inspect it. After repair, place a check in the "R" box.
Legend
Y = yes, acceptable
N = no, remove from service
R = repaired

Checklist A	Y	N	R
A-1 Inspect the manuals and decals			
A-2 Pre-operation inspection			
A-3 Check the Batteries			
A-4 Check the Hydraulic Oil Level			
A-5 Function tests			
Perform after 40 hours:			
A-6 30 day service			
Perform every 100 hours:			
A-7 Grease steer yokes			
Checklist B	Y	N	R
B-1 Batteries			
B-2 Electrical wiring			
B-3 Tires and wheels			
B-4 Emergency stop			
B-5 Key switch			
B-6 Horn (if equipped)			
B-7 Drive brakes			
B-8 Drive speed - stowed			
B-9 Drive speed - raised			
B-10 Drive speed - slow			
B-11 Hydraulic oil analysis			
B-12 Tank venting system			
B-13 Latch components			
B-14 Test the down and pothole limit switches			
B-15 Test the up limit switches			
Checklist C	Y	N	R
C-1 Platform overload (if equipped)			
C-2 Breather cap - models with optional oil			
Checklist D	Y	N	R
D-1 Scissor arm wear pads			
D-2 Hydraulic filter			
Checklist E	Y	N	R
E-1 Hydraulic oil			

Checklist A Procedures

A-1

Inspect the Manuals and Decals

Maintaining the operator's manual in good condition is essential to safe machine operation. Manuals are included with each machine and should be stored in the container provided in the platform. An illegible or missing manual will not provide safety and operational information necessary for a safe operating condition.

In addition, maintaining all of the safety and instructional decals in good condition is mandatory for safe machine operation. Decals alert operators and personnel to the many possible hazards associated with using this machine. They also provide users with operation and maintenance information. An illegible decal will fail to alert personnel of a procedure or hazard and could result in unsafe operating conditions.

- 1 Check to make sure that the operator manual is present and complete in the storage container on the platform.
 - 2 Examine the pages of manual to be sure that they are legible and in good condition.
- ☉ Result: The operator manual is appropriate for the machine and the manual are legible and in good condition.
- ☒ Result: The operator's manual is not appropriate for the machine or the manual is not in good condition or is illegible. Remove the machine from service until the manual is replaced.
- 3 Open the operator's manual to the decals inspection section. Carefully and thoroughly inspect all decals on the machine for legibility and damage.

- ☉ Result: The machine is equipped with all required decals, and all decals are legible and in good condition.
- ☒ Result: The machine is not equipped with all required decals, or one or more decals are illegible or in poor condition. Remove the machine from service until the decals are replaced.
- 4 Always return the manual to the storage container after use.

Note: Contact your authorized DINGLI distributor or DINGLI Industries if replacement manuals or decals are needed.

Maintenance

A-2

Perform Pre-operation Inspection

Completing a Pre-operation Inspection is essential to safe machine operation. The Pre-operation Inspection is a visual inspection performed by the operator prior to each work shift. The inspection is designed to discover if anything is apparently wrong with a machine before the operator performs the function tests. The Pre-operation Inspection also serves to determine if routine maintenance procedures are required.

Complete information to perform this procedure is available in the appropriate operator's manual. Refer to the Operator's Manual on your machine.

A-3

Check the Batteries



Proper battery condition is essential to good machine performance and operational safety. Improper fluid levels or damaged cables and connections can result in component damage and hazardous conditions.

⚠ WARNING Electrocution hazard.

Contact with hot or live circuits may result in death or serious injury. Remove all rings, watches and other jewelry.

⚠ WARNING Bodily injury hazard.

Batteries contain acid. Avoid spilling or contacting battery acid. Neutralize battery acid spills with baking soda and water.

- 1 Put on protective clothing and eye wear.
- 2 Be sure that the battery cable connections are tight and free of corrosion.
- 3 Be sure that the battery hold-down bars are secure.
- 4 Remove the battery vent caps.
- 5 Check the battery acid level. If needed, replenish with distilled water to the bottom of the battery fill tube. Do not overfill.
- 6 Install the vent caps.

A-4**Check the Hydraulic Oil Level**

Maintaining the hydraulic oil at the proper level is essential to machine operation. Improper hydraulic oil levels can damage hydraulic components. Daily checks allow the inspector to identify changes in oil level that might indicate the presence of hydraulic system problems.

NOTICE

Perform this procedure with the platform in the stowed position and the engine off.

- 1 Visually inspect the sight of hydraulic oil level from the side of the hydraulic oil tank.

⊙ Result: The hydraulic oil level should be within the top 5 cm of the tank.

- 2 Add oil if necessary. Do not overfill.

Hydraulic oil specifications

L-HV46

A-5**Perform Function Tests**

Completing the function tests is essential to safe machine operation. Function tests are designed to discover any malfunctions before the machine is put into service. A malfunctioning machine must never be used. If malfunctions are discovered, the machine must be tagged and removed from service.

Complete information to perform this procedure is available in the appropriate operator's manual. Refer to the Operator's Manual on your machine.

Maintenance

A-6

Perform 30 Day Service



The 30 day maintenance procedure is a one time procedure to be performed after the first 30 days or 40 hours of usage. After this interval, refer to the maintenance tables for continued scheduled maintenance.

- 1 Perform the following maintenance procedures:
 - B-3 Inspect the Tires, Wheels and Castle Nut Torque
 - D-2 Replace the Hydraulic Tank Return Filter Element

A-7

Grease the Steer Yokes



DINGLI requires that this procedure be performed every 100 hours of operation.

Regular application of lubrication to the steer yokes is essential to good machine performance and service life. Continued use of an insufficiently greased steer yoke will result in component damage.

- 1 Open the steer yoke cover.
- 2 Locate the grease add hole on the top of the steer yoke.
- 3 Pump multipurpose grease into the steer yoke until the steer yoke is full and grease is being forced past the bearings.
- 4 Install the cover.
- 5 Repeat this step for the other steer yoke.

Grease Specification

Chevron Ultra-duty grease, EP NLGI 1 (lithium based) or equivalent

Checklist B Procedures

B-1

Inspect the Batteries



DINGLI requires that this procedure be performed every 250 hours or quarterly, whichever comes first.

Proper battery condition is essential to good machine performance and operational safety. Improper fluid levels or damaged cables and connections can result in component damage and hazardous conditions.

⚠ WARNING Electrocutation / burn hazard. Contact with electrically charged circuits could result in death or serious injury. Remove all rings, watches and other jewelry.

⚠ WARNING Bodily injury hazard. Batteries contain acid. Avoid spilling or contacting battery acid. Neutralize battery acid spills with baking soda and water.

- 1 Put on protective clothing and eye wear.
- 2 Release the battery pack latch and rotate the battery pack out and away from the chassis.
- 3 Be sure that the battery cable connections are free of corrosion.

Note: Adding terminal protectors and a corrosion preventative sealant will help eliminate corrosion on the battery terminals and cables.

- 4 Be sure that the battery retainers and cable connections are tight.
- 5 Fully charge the batteries. Allow the batteries to rest 24 hours before performing this procedure to allow the battery cells to equalize.

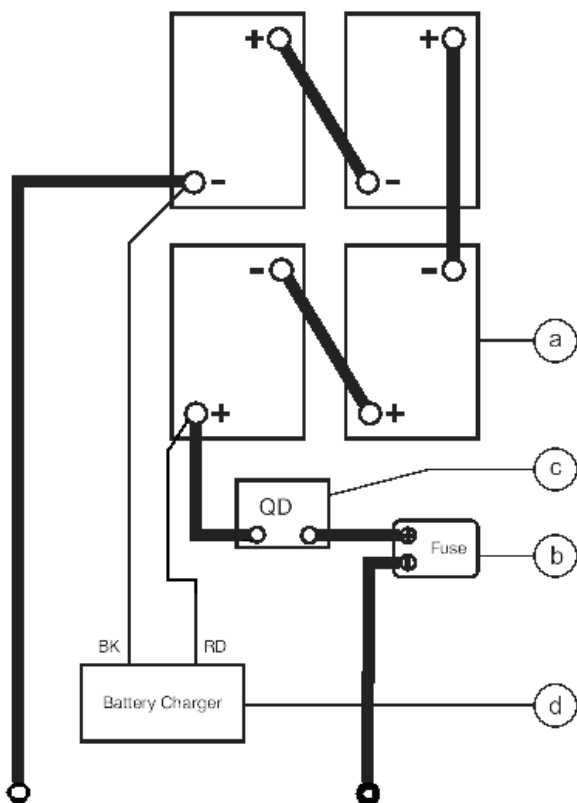
Models without maintenance-free or sealed batteries:

- 6 Remove the battery vent caps and check the specific gravity of each battery cell with a hydrometer. Note the results.
- 7 Check the ambient air temperature and adjust the specific gravity reading for each cell as follows:
 - Add 0.004 to the reading of each cell for every 5.5° C above 26.7° C.
 - Subtract 0.004 from the reading of each cell for every 5.5° C below 26.7° C.
- ⊙ Result: All battery cells display an adjusted specific gravity of 1.277 or higher. The battery is fully charged. Proceed to step 11.
- ⊖ Result: One or more battery cells display a specific gravity of 1.217 or below. Proceed to step 8.
- 8 Perform an equalizing charge OR fully charge the batteries and allow the batteries to rest at least 6 hours.
- 9 Remove the battery vent caps and check the specific gravity of each battery cell with a hydrometer. Note the results.
- 10 Check the ambient air temperature and adjust the specific gravity reading for each cell as follows:
 - Add 0.004 to the reading of each cell for every 5.5° C above 26.7° C.
 - Subtract 0.004 from the reading of each cell for every 5.5° C below 26.7° C.
- ⊙ Result: All battery cells display a specific gravity of 1.277 or greater. The battery is

Maintenance

fully charged. Proceed to step 11.

- ☒ Result: The difference in specific gravity readings between cells is greater than 0.1 OR the specific gravity of one or more cells is less than 1.177. Replace the battery.
- 11 Check the battery acid level. If needed, replenish with distilled water to 3 mm below the bottom of the battery fill tube. Do not overfill.
 - 12 Install the vent caps and neutralize any electrolyte that may have spilled.



- a batteries
- b 250A fuse
- c quick disconnect
- d battery charger

All models:

- 13 Check each battery pack and verify that the batteries are wired correctly.
 - 14 Inspect the battery charger plug and pigtail for damage or excessive insulation wear. Replace as required.
 - 15 Connect the battery charger to a properly grounded 110 - 230V / 50 – 60 Hz single phase AC power supply.
- ☒ Result: The charger should operate and begin charging the batteries.
 - ☒ Result: If, simultaneously, the charger alarm sounds and the LEDs blink, correct the charger connections at the fuse and battery. The charger will then operate correctly and begin charging the batteries.

Note: For best results, use an extension of adequate size with a length no longer than 15m.

Note: If you have any further questions regarding the battery charger operation, please contact the DINGLI Service Department.

B-2**Inspect the Electrical Wiring**

DINGLI requires that this procedure be performed every 250 hours or quarterly, whichever comes first.

Maintaining electrical wiring in good condition is essential to safe operation and good machine performance. Failure to find and replace burnt, chafed, corroded or pinched wires could result in unsafe operating conditions and may cause component damage.

⚠ WARNING Electrocutation / burn hazard. Contact with electrically charged circuits could result in death or serious injury. Remove all rings, watches and other jewelry.

- 1 Inspect the underside of the chassis for damaged or missing ground strap(s).
- 2 Inspect the following areas for burnt, chafed, corroded and loose wires:
 - Ground control panel
 - Hydraulic power unit module tray
 - Battery pack module tray
 - Platform controls
- 3 Turn the key switch to ground control and pull out the red Emergency Stop button to the on position at both the ground and platform controls.
- 4 Raise the platform approximately 2.5 m from the ground.
- 5 Lift the safety arm, move it to the center of the scissor arm and rotate up to a vertical position.
- 6 Lower the platform onto the safety arm.

⚠ WARNING Crushing hazard. Keep hands clear of the safety arm when lowering the platform.

- 7 Inspect the center chassis area and scissor arms for burnt, chafed and pinched cables.
- 8 Inspect the following areas for burnt, chafed, corroded, pinched and loose wires:
 - Scissor arms
 - ECU to platform controls
 - Power to platform wiring
- 9 Inspect for a liberal coating of dielectric grease in the following locations:
 - Between the ECU and platform controls
 - All wire harness connectors Level sensor
- 10 Raise the platform and return the safety arm to the stowed position.
- 11 Lower the platform to the stowed position and turn the machine off.

Maintenance

B-3

Inspect the Tires and Wheels (including castle nut torque)



DINGLI requires that this procedure be performed every 250 hours or quarterly, whichever comes first.

Maintaining the tires and wheels in good condition is essential to safe operation and good performance. Tire and/or wheel failure could result in a machine tip-over. Component damage may also result if problems are not discovered and repaired in a timely fashion.

- 1 Check the tire surface and sidewalls for cuts, cracks, punctures and unusual wear.
- 2 Check each wheel for damage, bends and cracks.

For HD model machine

- 3 Remove the cotter pin and check each castle nut for proper torque.

Note: Always replace the cotter pin with a new one when removing the castle nut or when checking the torque of the castle nut.

- 4 Install a new cotter pin. Bend the cotter pin to lock it in place.

Castle nut torque, dry	406.7Nm
------------------------	---------

Castle nut torque, lubricated	305Nm
-------------------------------	-------

For DC model machine

- 3 Check each bolt for proper torque.

Bolt torque, dry	50.5Nm
------------------	--------

Bolt torque, lubricated	37.8Nm
-------------------------	--------

B-4

Test the Emergency Stop

DINGLI requires that this procedure be performed every 250 hours or quarterly, whichever comes first.

A properly functioning Emergency Stop is essential for safe machine operation. An improperly operating red Emergency Stop button will fail to shut off power and stop all machine functions, resulting in a hazardous situation.

As a safety feature, selecting and operating the ground controls will override the platform controls, except the platform red Emergency Stop button.

- 1 Turn the key switch to ground control and pull out the red Emergency Stop button to the on position at both the ground and platform controls.

- 2 Push in the red Emergency Stop button at the ground controls to the off position.

⊙ Result: No machine functions should operate.

- 3 Turn the key switch to platform control and pull out the red Emergency Stop button to the on position at both the ground and platform controls.

- 4 Push down the red Emergency Stop button at the platform controls to the off position.

⊙ Result: No machine functions should operate.

Note: The red Emergency Stop button at the ground controls will stop all machine operation, even if the key switch is switched to platform control.

B-5**Test the Key Switch**

DINGLI requires that this procedure be performed every 250 hours or quarterly, whichever comes first.

Proper key switch action and response is essential to safe machine operation. The machine can be operated from the ground or platform controls and the activation of one or the other is accomplished with the key switch. Failure of the key switch to activate the appropriate control panel could cause a hazardous operating situation.

Perform this procedure from the ground using the platform controls. Do not stand in the platform.

- 1 Pull out the red Emergency Stop button to the on position at both the ground and platform controls.
- 2 Turn the key switch to platform control.
- 3 Check the platform up/down function from the ground controls.

⊙ Result: The machine functions should not operate.

- 4 Turn the key switch to ground control.
- 5 Check the machine functions from the platform controls.

⊙ Result: The machine functions should not operate.

- 6 Turn the key switch to the off position.

⊙ Result: No function should operate.

B-6**Test the Automotive-style Horn (if equipped)**

DINGLI requires that this procedure be performed every 250 hours or quarterly, whichever comes first.

The horn is activated at the platform controls and sounds at the ground as a warning to ground personnel. An improperly functioning horn will prevent the operator from alerting ground personnel of hazards or unsafe conditions.

- 1 Turn the key switch to platform control and pull out the red Emergency Stop button to the on position at both the ground and platform controls.
- 2 Push down the horn button at the platform controls.

⊙ Result: The horn should sound.

Maintenance

B-7

Test the Drive Brakes



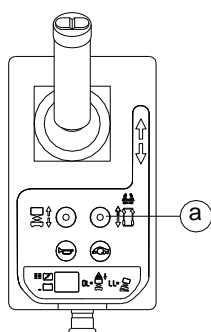
DINGLI requires that this procedure be performed every 250 hours or quarterly, whichever comes first.

Proper brake action is essential to safe machine operation. The drive brake function should operate smoothly, free of hesitation, jerking and unusual noise.

Hydraulically-released individual wheel brakes can appear to operate normally when not fully operational.

Perform this procedure with the machine on a firm level surface that is free of obstructions, with the platform extension deck fully retracted and the platform in the stowed position.

- 1 Mark a test line on the ground for reference.
- 2 Turn the key switch to platform control and pull out the red Emergency Stop button to the on position at both the ground and platform controls.
- 3 Lower the platform to the stowed position.
- 4 Press the drive function select button.



a drive function select button

- 5 Choose a point on the machine; i.e., contact patch of a tire, as a visual reference for use when crossing the test line.
- 6 Bring the machine to top drive speed before reaching the test line. Release the function enable switch or the joystick when your reference point on the machine crosses the test line.
- 7 Measure the distance between the test line and your machine reference point.

⊙ Result: The machine stops within the specified braking distance. No action required.

⊗ Result: The machine does not stop within the specified braking distance.

Note: The brakes must be able to hold the machine on any slope it is able to climb.

- 8 Replace the brakes and repeat this procedure beginning with step 1.

Braking distance, maximum

High range on paved surface 61cm ± 30cm

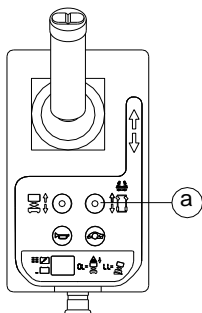
B-8**Test the Drive Speed - Stowed Position**

DINGLI requires that this procedure be performed every 250 hours or quarterly, whichever comes first.

Proper drive functions are essential to safe machine operation. The drive function should respond quickly and smoothly to operator control. Drive performance should also be free of hesitation, jerking and unusual noise over the entire proportionally controlled speed range.

Perform this procedure with the machine on a firm, level surface that is free of obstructions.

- 1 Create start and finish lines by marking two lines on the ground 12.2 m apart.
- 2 Turn the key switch to platform control and pull out the red Emergency Stop button to the on position at both the ground and platform controls.
- 3 Lower the platform to the stowed position.
- 4 Press the drive function select button.
- 5 Choose a point on the machine; i.e., contact patch of a tire, as a visual reference for use when crossing the start and finish lines.
- 6 Bring the machine to top drive speed before reaching the start line. Begin timing when your reference point on the machine crosses the start line.
- 7 Continue at full speed and note the time when your reference point on the machine passes over the finish line. Refer to specifications.



a drive function select button

Maintenance

B-9

Test the Drive Speed - Raised Position

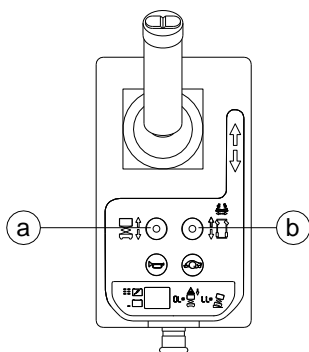


DINGLI requires that this procedure be performed every 250 hours or quarterly, whichever comes first.

Proper drive functions are essential to safe machine operation. The drive function should respond quickly and smoothly to operator control. Drive performance should also be free of hesitation, jerking and unusual noise over the entire proportionally controlled speed range.

Perform this procedure with the machine on a firm, level surface that is free of obstructions.

- 1 Create start and finish lines by marking two lines on the ground 12.2 m apart.
- 2 Turn the key switch to platform control and pull out the red Emergency Stop button to the on position at both the ground and platform controls.
- 3 Press the lift function select button.
- 4 Press and hold the function enable switch on the joystick.
- 5 Raise the platform approximately 1.2 m from the ground.
- 6 Press the drive function select button.
- 7 Choose a point on the machine; i.e., contact patch of a tire, as a visual reference for use when crossing the start and finish lines.
- 8 Bring the machine to top drive speed before reaching the start line. Begin timing when your reference point on the machine crosses the start line.
- 9 Continue at full speed and note the time when your reference point on the machine passes over the finish line. Refer to specifications.



- a lift function select button
- b drive function select button

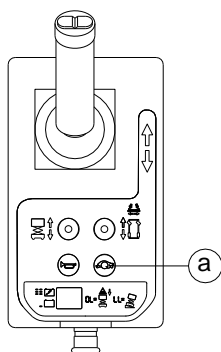
B-10**Test the Slow Drive Speed**

DINGLI requires that this procedure be performed every 250 hours or quarterly, whichever comes first.

Proper drive functions are essential to safe machine operation. The drive function should respond quickly and smoothly to operator control. Drive performance should also be free of hesitation, jerking and unusual noise over the entire proportionally controlled speed range.

Perform this procedure with the machine on a firm, level surface that is free of obstructions.

- 1 Create start and finish lines by marking two lines on the ground 12.2 m apart.
- 2 Turn the key switch to platform control and pull out the red Emergency Stop button to the on position at both the ground and platform controls.
- 3 Lower the platform to the stowed position.
- 4 Press the slow speed select button.
- 5 Choose a point on the machine; i.e., contact patch of a tire, as a visual reference for use when crossing the start and finish lines.
- 6 Bring the machine to top drive speed before reaching the start line. Begin timing when your reference point on the machine crosses the start line.
- 7 Continue at full speed and note the time when your reference point on the machine passes over the finish line. The time is less than 25 sec.



a slow speed select button

Maintenance

B-11

Perform Hydraulic Oil Analysis



DINGLI requires that this procedure be performed every 250 hours or quarterly, whichever comes first.

Replacement or testing of the hydraulic oil is essential for good machine performance and service life. Dirty oil may cause the machine to perform poorly and continued use may cause component damage. Extremely dirty conditions may require oil changes to be performed more often.

Before replacing the hydraulic oil, the oil may be tested by an oil distributor for specific levels of contamination to verify that changing the oil is necessary.

If the hydraulic oil is not replaced at the two year inspection, test the oil quarterly. Replace the oil when it fails the test. See E-1, Test or Replace the Hydraulic Oil.

B-12

Inspect the Hydraulic Tank Cap Venting System



DINGLI requires that this procedure be performed quarterly or every 250 hours, whichever comes first. Perform this procedure more often if dusty conditions exist.

A free-breathing hydraulic tank cap is essential for good machine performance and service life. A dirty or clogged cap may cause the machine to perform poorly. Extremely dirty conditions may require that the cap be inspected more often.

- 1 Remove the breather cap from the hydraulic tank.
- 2 Check for proper venting.
 - ⊙ Result: Air passes through the breather cap.
 - ⊗ Result: If air does not pass through the cap, clean or replace the cap. Proceed to step 3.

Note: When checking for positive tank cap venting, air should pass freely through the cap.

- 3 Using a mild solvent, carefully wash the cap venting system. Dry using low pressure compressed air. Repeat step 2.
- 4 Install the breather cap onto the hydraulic tank.

B-13**Check the Module Tray Latch Components**

DINGLI requires that this procedure be performed every 250 hours or quarterly, whichever comes first.

Maintaining the module tray latch components in good condition is essential to good performance and service life. Failure to detect worn out latch components may result in module trays opening unexpectedly, creating an unsafe operating condition.

- 1 Inspect each module tray rotary latch and related components for wear. Tighten any loose fasteners.
- 2 Lubricate each module tray rotary latch. Using light oil, apply a few drops to each of the springs and to the sides of the rotary latch mechanism.

B-14**Test the Down Limit Switch and the Pothole Limit Switches**

DINGLI requires that this procedure be performed every 250 hours or quarterly, whichever comes first.

Maintaining the limit switches is essential to safe operation and good machine performance. Operating the machine with a faulty limit switch could result in reduced machine performance and a potentially unsafe operating condition.

Perform these procedures with the machine on a firm, level surface that is free of obstructions.

Down Limit Switch

- 1 Remove the platform controls from the platform.
- 2 Raise the platform approximately 2.5 m from the ground.
- 3 Lift the safety arm, move it to the center of the scissor arm and rotate up to a vertical position.
- 4 Lower the platform onto the safety arm.

⚠ WARNING Crushing hazard. Keep hands clear of the safety arm when lowering the platform.

- 5 Turn the key switch to the off position.
- 6 Tag and disconnect the platform control box at the platform.
- 7 Follow the platform control cable down the scissor stack to the underside of the chassis deck. Tag and disconnect the platform cable from the ECU cable at the 6-pin Deutsch connector under the chassis deck.
- 8 Securely install the platform control box

Maintenance

- harness plug into the 6-pin Deutsch connector of the ECU cable.
- 9 Open the down limit switch cover, tag and disconnect the wires of the down limit switch wire harness.
 - 10 Turn the key switch to platform control.
 - 11 Raise the platform and return the safety arm to the stowed position.
 - 12 Working at the platform controls, press the lift function select button. Lower the platform to the stowed position.
 - ⊙ Result: The diagnostic display will show code 18, an alarm sounds and the lift function should operate. The machine is functioning properly.
 - ⊘ Result: The diagnostic display does not show code 18, the alarm does not sound and the lift function should not operate. Replace the down limit switch.
 - 13 Press the drive function select button. Attempt to drive the machine.
 - ⊙ Result: The diagnostic display will show code 18, an alarm sounds, and the steer and drive functions should not operate. The machine is functioning properly.
 - ⊘ Result: The diagnostic display does not show code 18, the alarm does not sound, and the steer and drive functions operate. Replace the down limit switch.
 - 14 Press the lift function select button. Raise the platform approximately 0.3 m.
 - ⊙ Result: The diagnostic display will show code 18 and an alarm sounds. The machine is functioning properly.
 - ⊘ Result: The diagnostic display does not show code 18 and the alarm does not sound. Replace the down limit switch.
 - 15 Raise the platform until the pothole guards are deployed.
 - ⊙ Result: The diagnostic display does not show code 18 and the alarm does not sound. The machine is functioning properly.
 - ⊘ Result: The diagnostic display shows code 18 and an alarm sounds. Replace the down limit switch.
 - 16 Raise the platform approximately 2.5 m from the ground.
 - 17 Lift the safety arm, move it to the center of the scissor arm and rotate up to a vertical position.
 - 18 Lower the platform onto the safety arm.

⚠ WARNING

 Crushing hazard. Keep hands clear of the safety arm when lowering the platform.
 - 19 Turn the key switch to the off position.
 - 20 Disconnect the platform controls from the ECU cable.
 - 21 Securely install the connector of the ECU cable into the platform control cable.
 - 22 Working at the platform, securely install the connector of the platform controls into the platform control cable.
 - 23 Securely connect the two wires of the down limit switch to wire harness.
 - 24 Close and install the switch cover.
 - 25 Turn the key switch to platform control.
 - 26 Raise the platform and return the safety arm to the stowed position.
 - 27 Lower the platform to the stowed position.

Pothole Limit Switches

- 28 Move the machine onto a grade which exceeds the rating of the level sensor. Refer to the serial label on the machine.
- 29 Press the lift function select button. Standing on the up-hill side of the machine,

Maintenance

attempt to raise the platform to approximately 2 m.

- ⊙ Result: The diagnostic display shows code LL, an alarm sounds, and the machine stops lifting after the pothole guards are deployed. The machine is functioning properly.
 - ⊗ Result: The diagnostic display does not show code LL, the alarm does not sound and the machine will continue to lift the platform after the pothole guards are deployed. Adjust or replace the pothole limit switch.
- 30 Press the drive function select button. Standing on the up-hill side of the machine, attempt to steer and drive the machine.
 - ⊙ Result: The diagnostic display shows code LL, an alarm sounds, and the machine will not steer or drive. The machine is functioning properly.
 - ⊗ Result: The diagnostic display does not show code LL, the alarm does not sound and the steer and drive functions operate. Adjust or replace the pothole limit switch.
 - 31 Lower the platform to the stowed position. Move the machine onto a firm, level surface.
 - 32 Place a wooden block approximately 5 cm tall under the right pothole guard.
 - 33 Press the lift function select button. Attempt to raise the platform approximately 2m.
 - ⊙ Result: The pothole guard contacts the block and does not fully deploy, the diagnostic display shows code 18, an alarm sounds and the platform will lift to 2m or beyond. The machine is functioning properly.
 - ⊗ Result: The pothole guard contacts the block and does not fully deploy, the

diagnostic display does not show code 18, the alarm does not sound and the machine will continue to lift the platform after the pothole guards are deployed. Adjust or replace the pothole limit switch.

- 34 Press the drive function select button. Attempt to steer or drive the machine.
 - ⊙ Result: The diagnostic display shows code 18, an alarm sounds, and the machine will not steer or drive. The machine is functioning properly.
 - ⊗ Result: The diagnostic display does not show code 18, the alarm does not sound and the steer and drive functions operate. Adjust or replace the down limit switch.
- 35 Lower the platform to the stowed position and remove the block under the right pothole guard.
- 36 Repeat this procedure beginning with step 31 for the left pothole guard.
- 37 Lower the platform to the stowed position, remove the block under the left pothole guard.
- 38 Turn off the machine.

Maintenance

B-15

Test the Up Limit Switch



DINGLI requires that this procedure be performed every 250 hours or quarterly, whichever comes first.

Maintaining the limit switches is essential to safe operation and good machine performance.

Operating the machine with a faulty limit switch could result in reduced machine performance and a potentially unsafe operating condition.

Perform these procedures with the machine on a firm, level surface that is free of obstructions.

- 1 Turn the key switch to ground control and raise the platform approximately 2.5m from the ground.
- 2 Lift the safety arm, move it to the center of the scissor arm and rotate the safety arm away from the machine and let it hang down.
- 3 Lower the platform onto the safety arm.

⚠ WARNING Crushing hazard. Keep hands clear of the safety arm when lowering the platform.

- 4 Open the limited switch house cover from the chassis.
- 5 While raising the platform from the ground controls, push in the roller of the up limit switch to activate the limit switch.

☉ Result: The platform stops raising. The machine is functioning properly.

☐ Result: The platform continues to raise. Adjust or replace the up limit switch.

- 6 Install the limited switch house cover to chassis.

- 7 Put the safe arm to home position.
- 8 Lower the platform to the stowed position.

Checklist C Procedures

C-1

Test the Platform Overload System (if equipped)



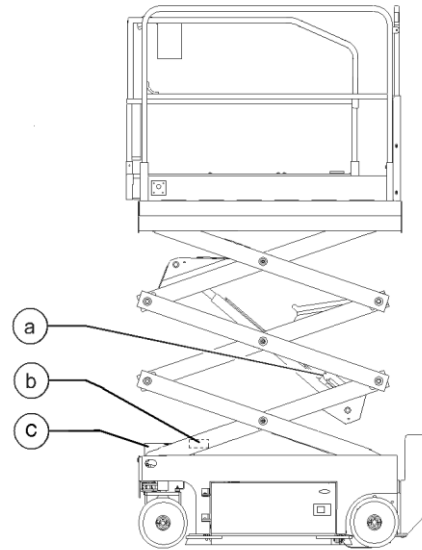
DINGLI requires that this procedure be performed every 500 hours or six months, whichever comes first OR when the machine fails to lift the maximum rated load.

Testing the platform overload system regularly is essential to safe machine operation. Continued use of an improperly operating platform overload system could result in the system not sensing an overloaded platform condition. Machine stability could be compromised resulting in the machine tipping over.

The platform overload system is designed to prevent machine operation in the event the platform is overloaded. Models equipped with the platform overload option are provided with two additional machine control components: the overload pressure switch and a tilt sensor.

The overload pressure switch, which is adjustable and located at the barrel-end of the lift cylinder, is used to determine when the hydraulic lift cylinder requires too much pressure to support the load inside the platform. When this occurs, the pressure switch will send a signal to the ECU, which will not allow the machine to function until the extra weight is removed from the platform.

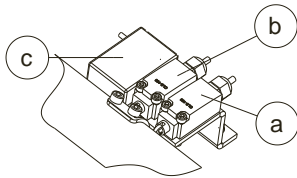
The tilt sensor, located in the inner scissor arm 1, is used to determine the tilt of scissor, than to measure the height of platform.



- a overload pressure switch
- b tilt sensor
- c limited switch cover

- 1 Turn the key switch to ground control and raise the platform approximately 2.5 m from the ground.
 - 2 Lift the safety arm, move it to the center of the scissor arm and rotate the safety arm away from the machine and let it hang down.
 - 3 Lower the platform onto the safety arm.
- WARNING** Crushing hazard. Keep hands clear of the safety arm when lowering the platform.
- 4 Open the limited switch house cover from the chassis.
 - 5 Open the up limited switch cover.

Maintenance



- a up limited switch
- b down limited switch
- c slope sensor

- 6 Tag and disconnect the wires of the up limit switch wire harness.
- 7 Securely connect together the terminals of the two wires of the up limit switch.
- 8 Turn the key switch to ground control and pull out the red Emergency Stop button to the on position at both the ground and platform controls.
- 9 Raise the platform to release the safe arm.
- 10 Put the safe arm to home position.
- 11 Fully raise the platform. Release the toggle switch.
 - ☉ Result: The alarm should sound.
 - ☐ Result: The alarm does not sound.
Calibrate the platform overload system.
- 12 Using the manual lowering knob, lower the platform to the stowed position.
- 13 Securely connect the wires of the up limit switch.
- 14 Fully raise the platform. Release the toggle switch.
 - ☉ Result: The alarm should not sound. The system is functioning correctly.
 - ☐ Result: The alarm sounds. The system is not functioning correctly. Troubleshoot the limit switch, limit switch wire harness or limit switch mount bracket or the platform overload system needs to be calibrated.
- 15 Lower the platform approximately 2.5 m from the ground.

16 Lift the safety arm, move it to the center of the scissor arm and rotate the safety arm away from the machine and let it hang down.

17 Lower the platform onto the safety arm.

⚠ WARNING Crushing hazard. Keep hands clear of the safety arm when lowering the platform.

18 Install the up limited switch cover.

19 Install the limited switch house cover.

20 Raise the platform to release the safe arm.

21 Put the safe arm to home position.

22 Lower the platform to the stowed position.

C-2**Replace the Hydraulic Tank Breather Cap**

DINGLI requires that this procedure be performed every 500 hours or semi-annually, whichever comes first.

The hydraulic tank is a vented-type tank. The breather cap has an internal air filter that can become clogged or, over time, can deteriorate. If the breather cap is faulty or improperly installed, impurities can enter the hydraulic system which may cause component damage. Extremely dirty conditions may require that the cap be inspected more often.

- 1 Remove and discard the hydraulic tank breather cap.
- 2 Install a new cap onto the tank.

Maintenance

Checklist D Procedures

D-1

Check the Scissor Arm Wear Pads



DINGLI requires that this procedure be performed every 1000 hours or annually, whichever comes first.

Maintaining the condition of the scissor arm wear pads is essential to safe machine operation. Continued use of worn out wear pads may result in component damage and unsafe operating conditions.

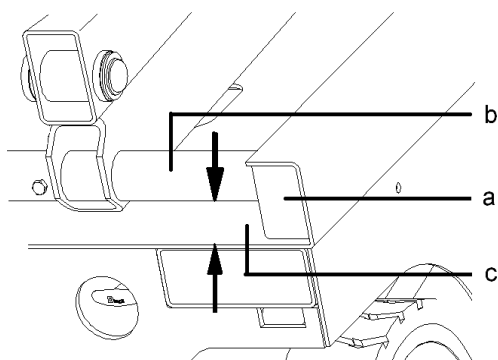
Perform this procedure with the platform in the stowed position.

- 1 Measure the distance between the number one inner arm cross tube and the chassis deck at the ground controls side of the non-steer end of the machine.

Refer to illustration below.

- ⊙ Result: The measurement is 34mm or more. Proceed to step 2.

- ⊖ Result: The measurement is less than 34mm. Replace both wear pads.



- a wear pad
- b inner arm cross tube
- c chassis deck

- 2 Measure the distance between the number one inner arm cross tube and the chassis deck at the battery pack side of the non-steer end of the machine.

Refer to illustration below.

- ⊙ Result: The measurement is 34mm or more. Proceed to step 3.
 - ⊖ Result: The measurement is less than 34 mm. Replace both wear pads.
- 3 Apply a thin layer of dry film lubricant to the area of the chassis where the scissor arm wear pads make contact.

D-2**Replace the Hydraulic Tank Return
Filter Element**

DINGLI requires that this procedure be performed every 1000 hours or annually, whichever comes first.

Replacement of the hydraulic tank return filter is essential for good machine performance and service life. A dirty or clogged filter may cause the machine to perform poorly and continued use may cause component damage. Extremely dirty conditions may require that the filter be replaced more often.

⚠ CAUTION Beware of hot oil. Contact with hot oil may cause severe burns.

NOTICE The hydraulic tank return filter is mounted on the bracket between the function manifold and the hydraulic power unit.

- 1 Clean the area around the oil filter.
Remove the filter with an oil filter wrench.
- 2 Apply a thin layer of oil to the new oil filter gasket.
- 3 Install the new filter and tighten it securely by hand.
- 4 Use a permanent ink marker to write the date and number of hours from the hour meter onto the filter.
- 5 Turn the key switch to ground control and pull out the red Emergency Stop button to the on position at both the ground and platform controls.
- 6 Activate and hold the platform up toggle switch.
- 7 Inspect the filter and related components to be sure that there are no leaks.
- 8 Clean up any oil that may have spilled.

Maintenance

Checklist E Procedure

E-1

Test or Replace the Hydraulic Oil



DINGLI requires that this procedure be performed every 2000 hours or every two years, whichever comes first.

Replacement or testing of the hydraulic oil is essential for good machine performance and service life. Dirty oil may cause the machine to perform poorly and continued use may cause component damage. Extremely dirty conditions may require oil changes to be performed more often.

Before replacing the hydraulic oil, the oil may be tested by an oil distributor for specific levels of contamination to verify that changing the oil is necessary.

If the hydraulic oil is not replaced at the two year inspection, test the oil quarterly. Replace the oil when it fails the test.

Note: Perform this procedure with the platform in the stowed position.

- 1 Disconnect the battery pack from the machine.

⚠ WARNING Electrocuting / burn hazard: Contact with electrically charged circuits could result in death or serious injury. Remove all rings, watches and other jewelry.

- 2 Open the power unit module tray.
- 3 Tag and disconnect the hydraulic tank return line from the hydraulic filter head and remove the line from the tank. Cap the fitting on the filter head.
- 4 Tag and disconnect the hydraulic pump inlet line and remove the line from the tank. Cap the fitting on the pump.

- 5 Remove the hydraulic tank retaining fasteners and remove the hydraulic tank from the machine.
- 6 Remove the oil drain plug at bottom.
- 7 Drain all of the oil into a suitable container..

⚠ WARNING Bodily injury hazard. Spraying hydraulic oil can penetrate and burn skin. Loosen hydraulic connections very slowly to allow the oil pressure to dissipate gradually. Do not allow oil to squirt or spray.

- 8 Clean up any oil that may have spilled. Properly discard the used oil.
- 9 Clean the inside of the hydraulic tank using a mild solvent. Allow the tank to dry completely.
- 10 Tighten the drain plug. Torque to specification.

Torque specifications

Hydraulic tank drain plug, dry	4.5Nm
Hydraulic tank drain plug, lubricated	3.4Nm

- 11 Install the hydraulic tank and install and tighten the hydraulic tank retaining fasteners. Torque to specification.

Torque specifications

Hydraulic tank retaining fasteners, dry	4Nm
Hydraulic tank drain plug, lubricated	2.9Nm

- 12 Install the hydraulic pump inlet line into the tank. Install the fitting onto the pump and torque.

Maintenance

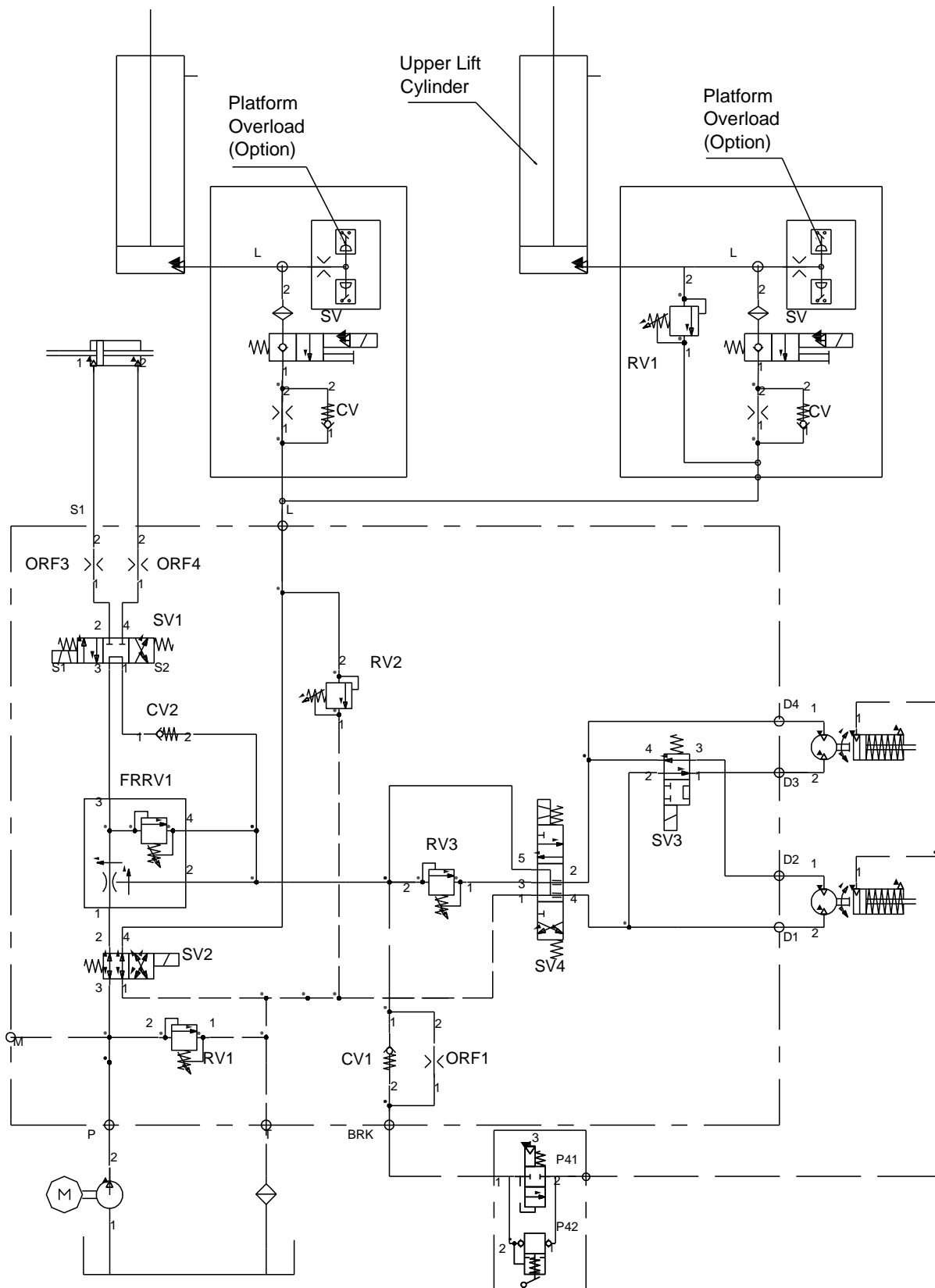
- 13 Install the hydraulic pump return line into the tank. Install the fitting onto the hydraulic filter head and torque.
- 14 Fill the tank with hydraulic oil until the fluid is full in the hydraulic tank. Do not overfill.
- 15 Activate the pump to fill the hydraulic system with oil and bleed the system of air.

⚠ WARNING Component damage hazard.
The pump can be damaged if operated without oil. Be careful not to empty the hydraulic tank while in the process of filling the hydraulic system. Do not allow the pump to cavitate.

Schematic

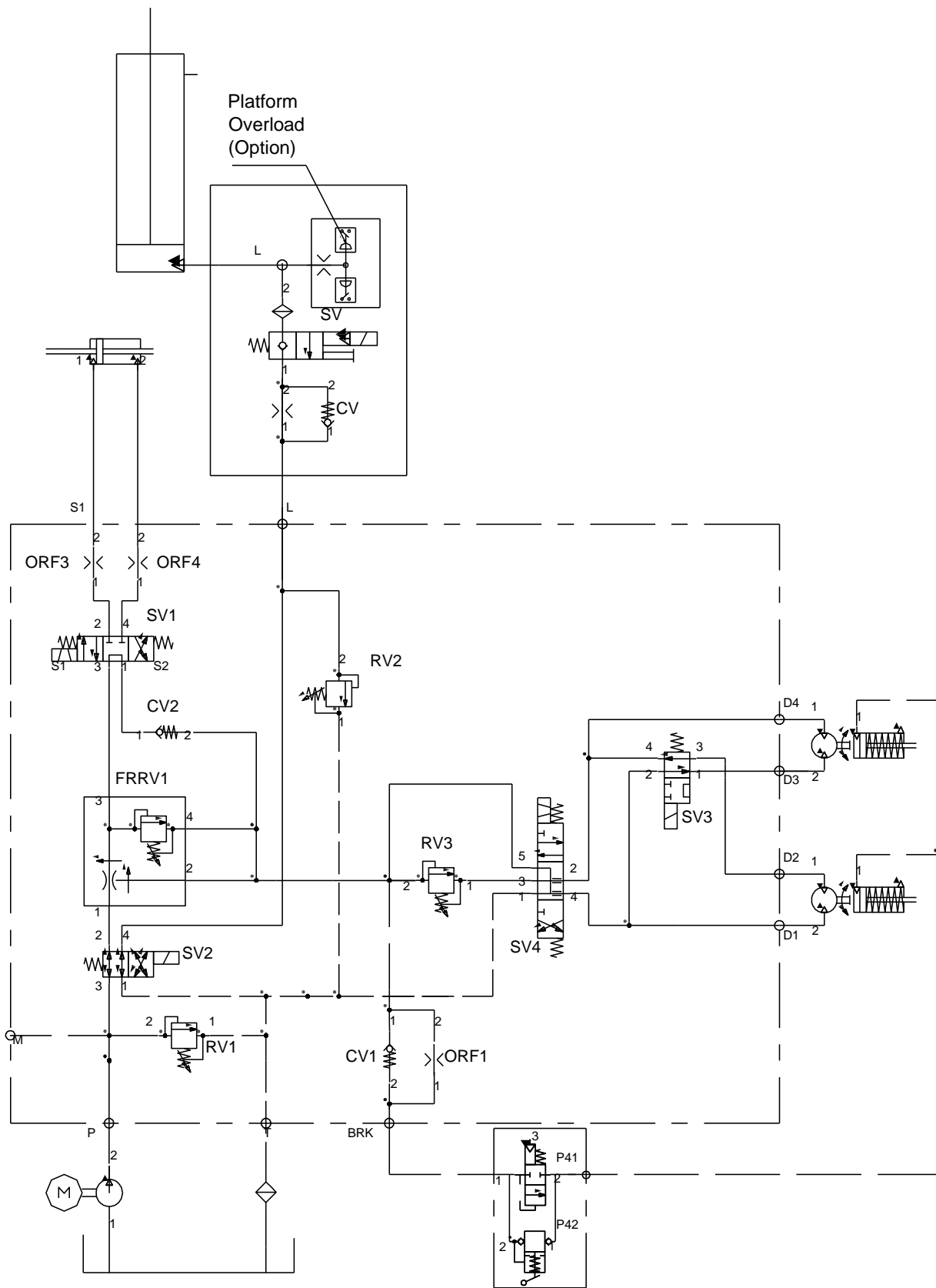
Hydraulic Schematic

S1012EH S1212EH S1412EH



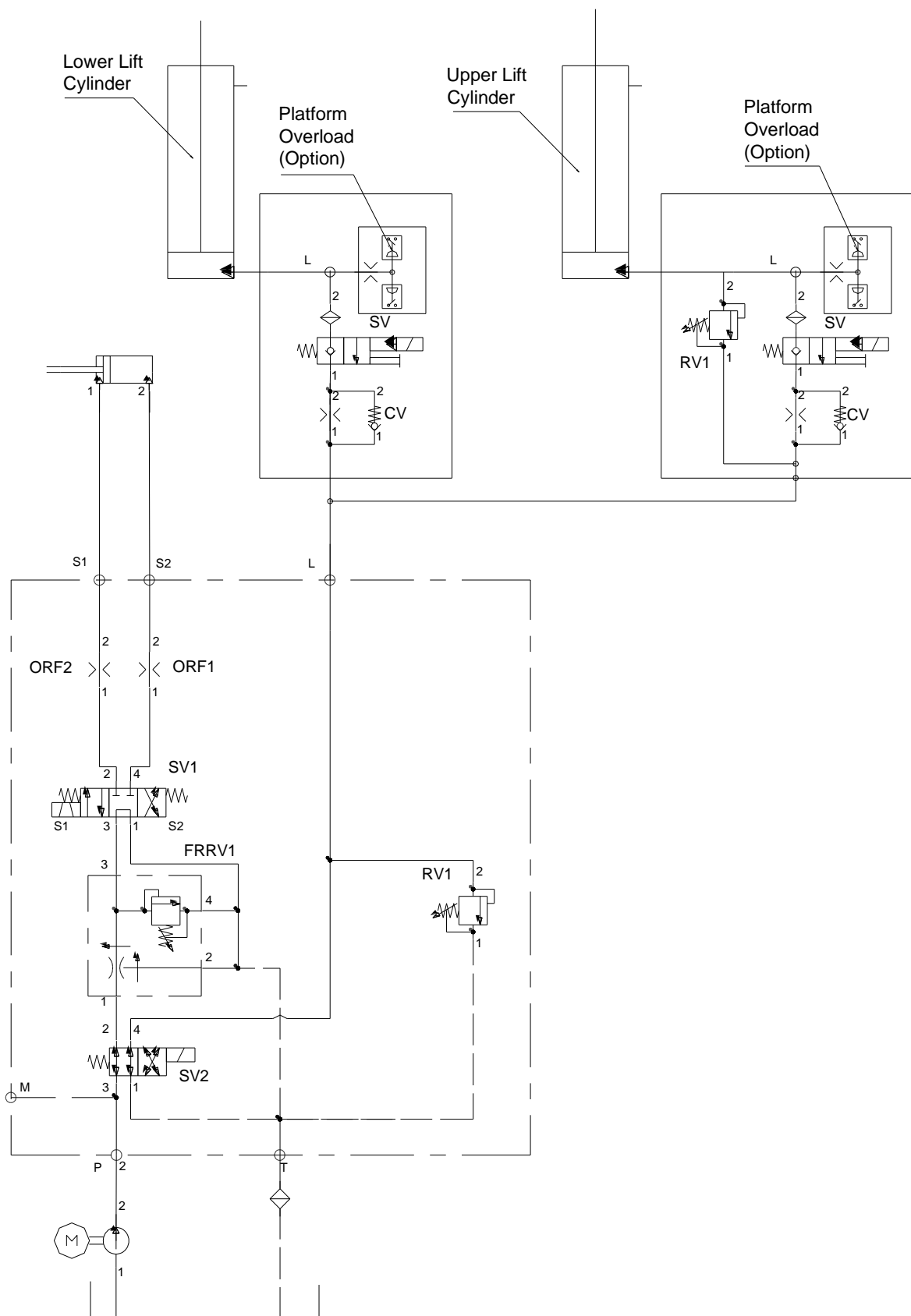
Schematic

S0608EH S0808EH S0812EH



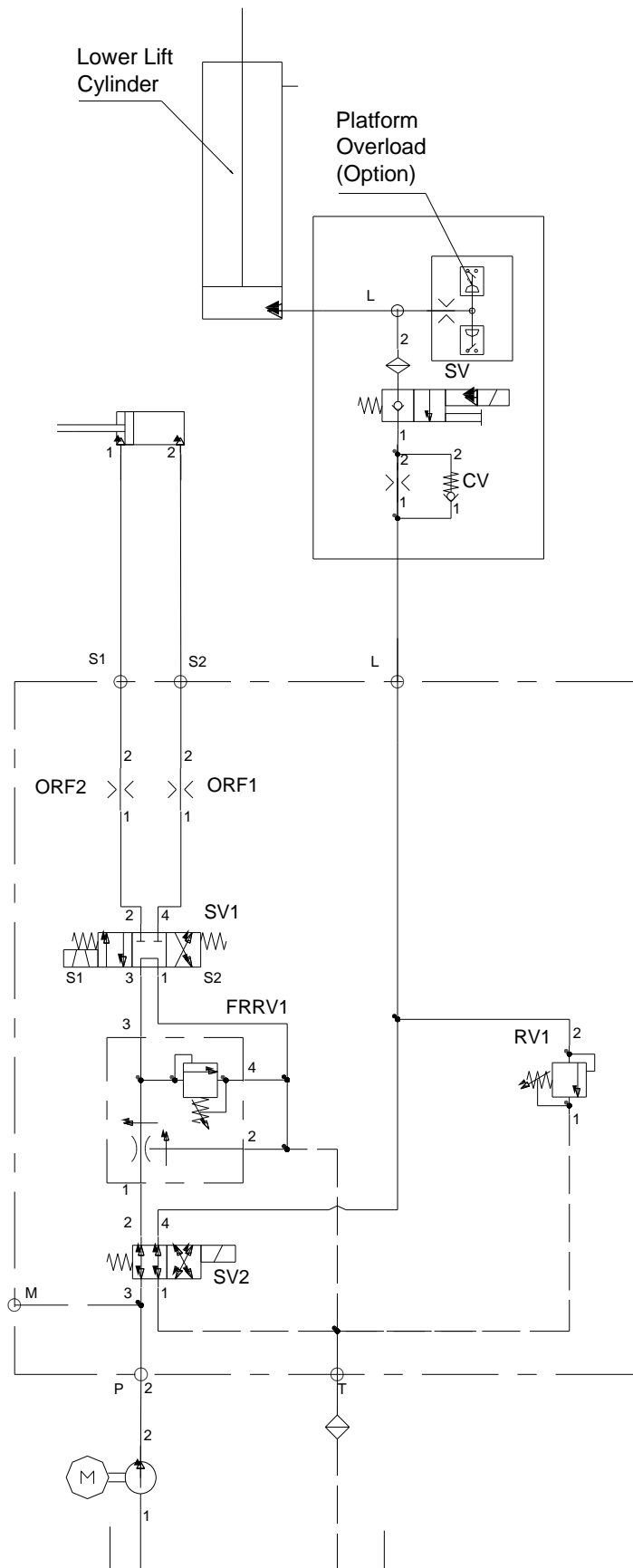
Schematic

S1012E S1212E S1412E



Schematic

S0608E S0808E S0812E



Schematic

Electrical Schematic

S0608EH S0808EH S0812EH S1012EH S1212EH S1412EH

